



INSTALLATION INSTRUCTIONS FOR FRONT/ INSIDE ACCESS 54W T5HO 4 FT 4 LAMP 400SLB SERIES FLUORESCENT LIGHT FIXTURES FOR SPRAY PAINT BOOTH APPLICATIONS – WET LOCATIONS

WARNING!

1. TO PREVENT THE RISK OF ELECTRICAL SHOCK DEACTIVATE/DISCONNECT THE POWER SUPPLY BEFORE INSTALLING OR RELAMPING FIXTURE.
2. THE BALLAST IN THIS FIXTURE IS DESIGNED TO OPERATE ON GROUNDED NEUTRAL SYSTEMS ONLY.
3. THIS FIXTURE SHOULD BE INSTALLED BY QUALIFIED TECHNICIANS IN STRICT ACCORDANCE WITH THE NATIONAL ELECTRICAL CODE AND ANY LOCAL REQUIREMENTS.

PAINT SPRAY BOOTH APPLICATIONS

The fixture should be sealed in such a way that only the face of the light fixture is exposed to the paint environment and the sides and rear are located in the Class I Division 2 environment.

NOTE: Light fixtures are provided with an interlock switch which has normally open contacts which open when fixture is accessed from the inside of the paint spray booth. This switch is to be wired in such a way that it disables paint spray equipment when the front of the light is opened.

IMPORTANT: 10 Watt magnetic switches are not prewired. (Wiring performed by others). It may be desired by others to run separate power for this supply to segregate relay from light power. *The magnetic micro switch is **NOT** designed to directly control light operation.

Since these fixtures can be accessed from inside the paint spray booth, a 2" x 3 1/2" label stating: "Caution - Do not operate paint spray equipment when fixture frame is opened. Keep the fixture frame tightly closed while paint spray equipment is operating", is included with each fixture.

OPERATIONAL DATA

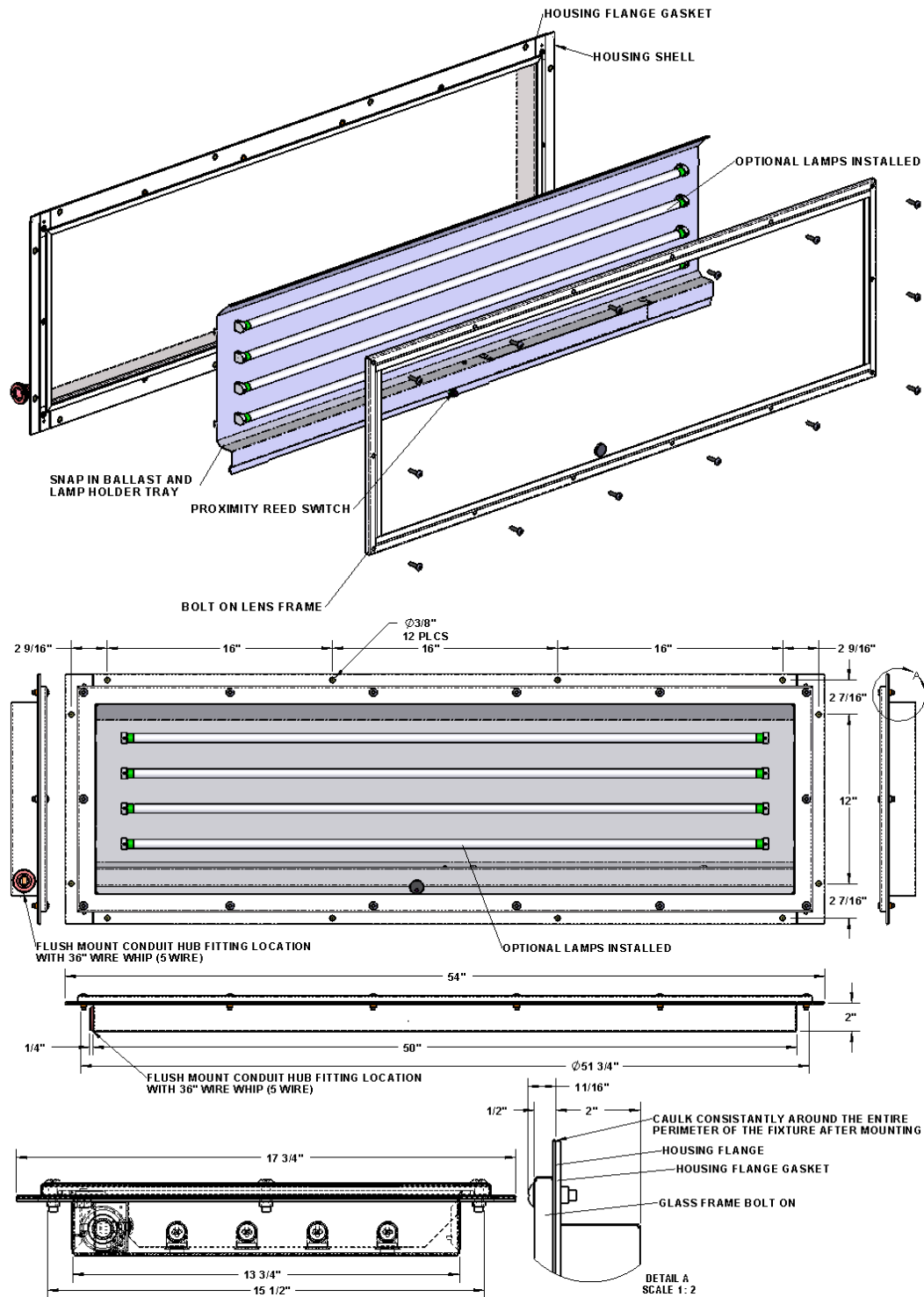
Operate this fixture at its rated voltage. See fixture label for data. Do not install where the marked operating temperature exceeds the ignition temperature of the hazardous atmospheres.

MAINTENANCE DATA

1. Although no routine maintenance is required to keep this fixture functional, it should be checked periodically to ensure that it is working properly and to look for any external damage.
2. For optimum performance, keep light transmission parts of fixture clean. Any commercial glass cleaner can be used to clean the glass.
3. To Relamp: disconnect supply circuit. Remove qty 14 1/4"-20 x 5/8" Phillips access fasteners from glass frame. Lift glass frame to open. Replace old lamp with new lamp. Close glass frame and install 1/4"-20 x 5/8" Phillips access fasteners in glass frame to seal.

NOTE: When installing lamp – fixtures are rated for 54 watts T5HO lamps only.

4. In the event of glass breakage, it will be necessary to replace the damaged glass frame assembly, in order to maintain the integrity of the fixture.

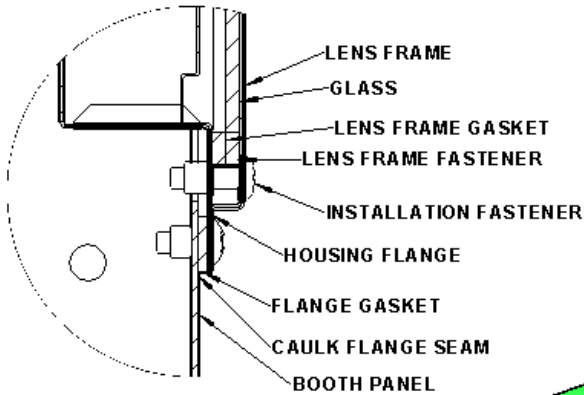
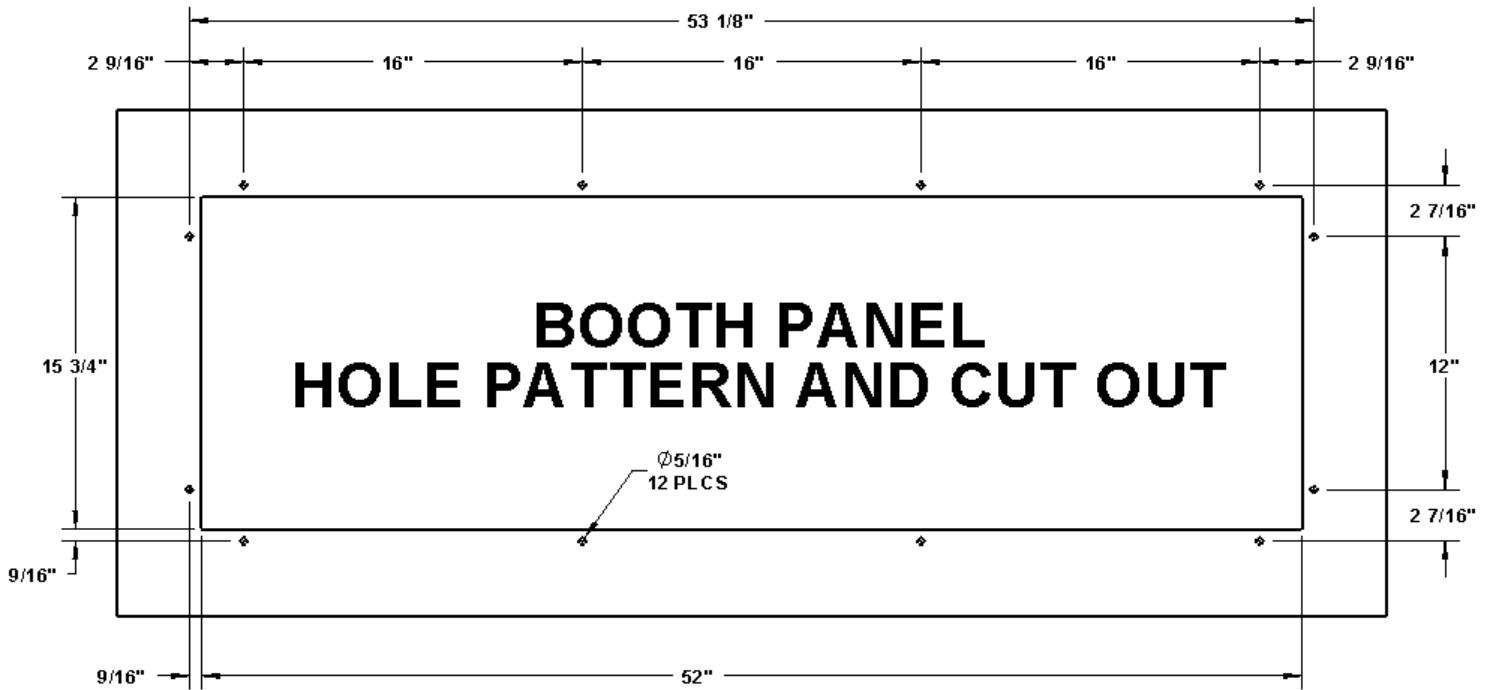


INSTALLATION

1. Mark opening on booth panel where fixture is to be located as shown per customer's applications.
2. Cut opening in booth panel using suitable tools.
3. Place light fixture into opening in booth panel, center, and mark locations of mounting holes. (4 ft. fixtures have 12 mounting holes).
4. Remove fixture from booth panel and punch the 5/16" dia. mounting holes in panel.
5. Install light fixture into panel from inside of booth as shown.
For horizontal mounting, mount so that the ballast side of the housing is at the bottom.

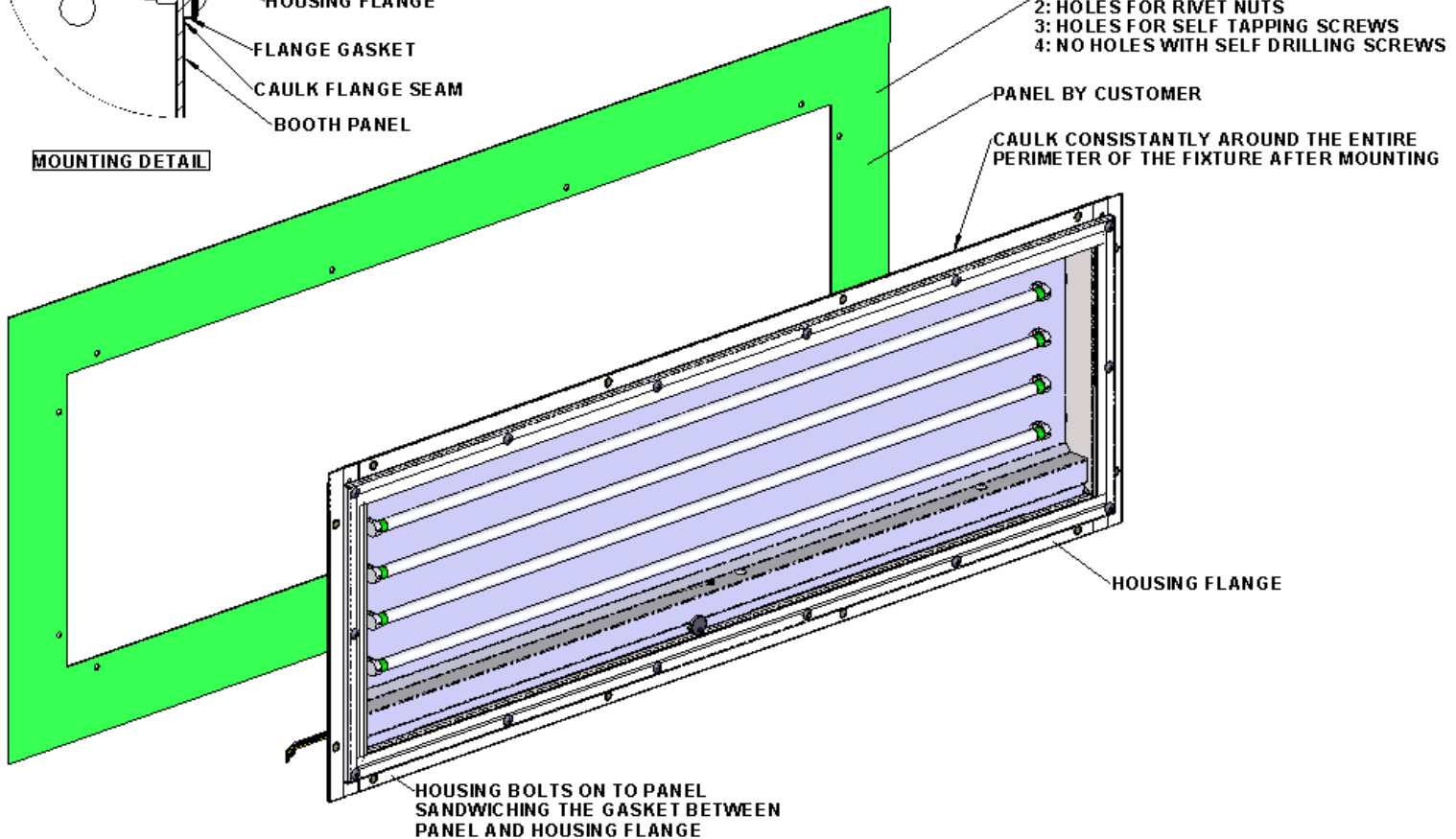
NOTE: Before installing fixture, make certain mounting gasket is installed on bottom surface of light mounting flange. Install mounting fasteners (not provided) and secure to booth panel. Customer is responsible for providing any panel reinforcements needed for mounting.

6. Caulk the flange perimeter with the same type of caulk as the spray booth.
7. Wire fixture through conduit hub according to schematic on ballast.
8. Installation of light fixture onto panel is now complete.



NOTE: LIGHT FIXTURE GLASS FRAME WITH SCREWS EXTENDS 11/16" INTO BOOTH WHEN MOUNTED IN BOOTH PANEL.

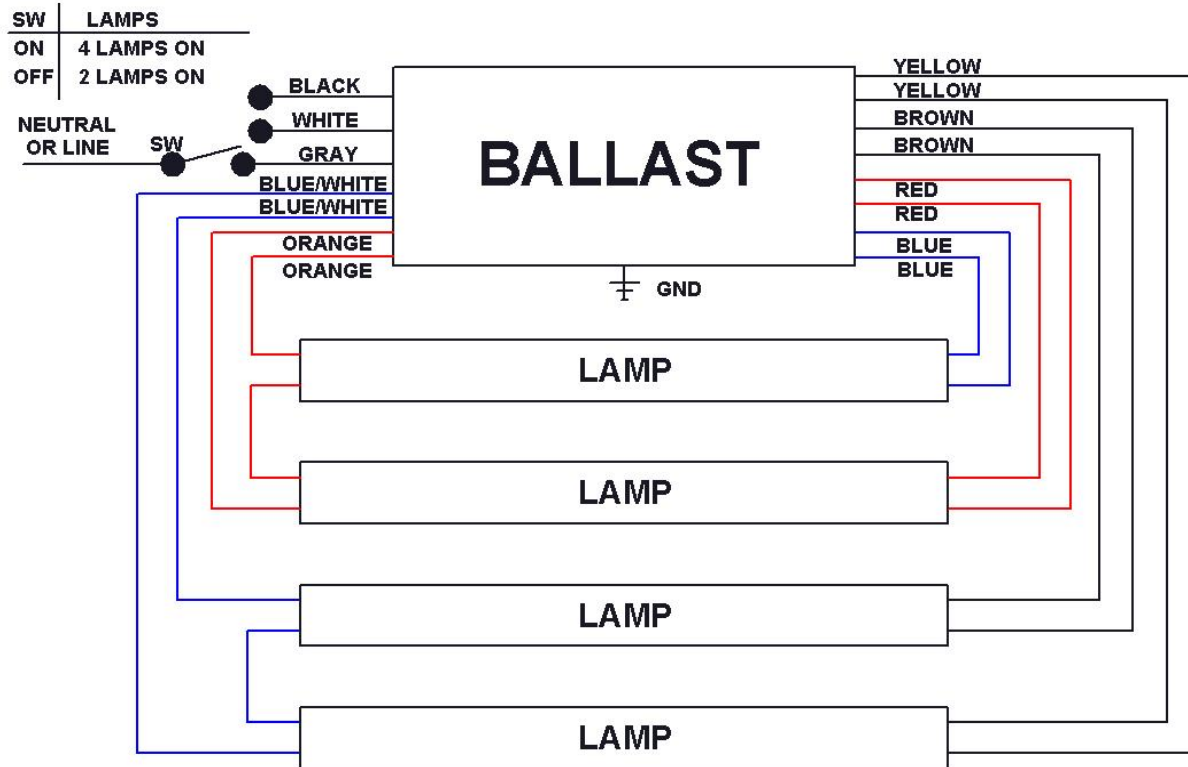
- PANEL BY CUSTOMER OPTIONS:
- 1: HOLES FOR U-NUTS
 - 2: HOLES FOR RIVET NUTS
 - 3: HOLES FOR SELF TAPPING SCREWS
 - 4: NO HOLES WITH SELF DRILLING SCREWS



WIRING SCHEMATIC FOR:

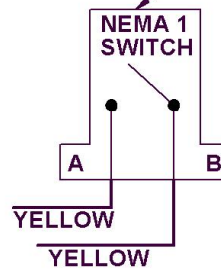
4 FT 4 LAMP T5HO PROGRAMMED START FIXTURE

INPUT AMPS: (120V: 2.00 AMPS) (277V: 0.86 AMPS) (347V: 0.69 AMPS) (480V: 0.50 AMPS)



NOTE:
 FIXTURE CAN BE WIRED FOR 4-LAMP ON/OFF OPERATION OR 2-LAMP/4-LAMP ON/OFF OPERATION. FOR 4-LAMP OPERATION CONNECT GRAY WIRE TO WHITE NEUTRAL. FOR SWITCHED 2-LAMP/4-LAMP OPERATION CONNECT GRAY WIRE THROUGH A SWITCH.

INTERLOCK SWITCH TO BE WIRED IN SUCH A WAY THAT IT DISABLES PAINT SPRAY EQUIPMENT WHEN LIGHT IS ACCESSED FROM INSIDE OF THE PAINT SPRAY BOOTH.



NOTE:

Normally open magnetic switches are intended to be used to trigger a relay (furnished by others) which disables the paint system. Because of the small capacity of the switch a solid state relay is recommended. It may be desired by others to utilize a separate power supply to segregate the relay (furnished by others) from the lighting power supply.

The magnetic switch IS NOT designed to directly control light operation!
 The magnetic switch is rated for 10 watts resistive at a maximum of 300 VAC.
 Series wiring of more than 10 switches is NOT RECOMMENDED.

NOTE:

Refer to diagram on ballast with specific wiring details.

CAUTION:

Overloading the switch circuits WILL cause failure.
 LDPI, Inc. recommends having a certified electrician/engineer review loads to ensure that overloading of switch does not occur.