



INSTALLATION, OPERATION AND MAINTENANCE INSTRUCTIONS

LE101 SERIES LED LIGHTING FIXTURES

IMPORTANT SAFEGUARDS READ AND FOLLOW ALL SAFETY INSTRUCTIONS BEFORE INSTALLING THIS FIXTURE

- This fixture should be installed by qualified technicians in strict accordance with the National Electrical Code and any local requirements.
NOTE: For non-adjustable cord and plug applications, the fixture must be mounted directly below the outlet/busway.
- To prevent risk of electrical shock deactivate/disconnect the power supply before installing or servicing fixture.
- To maximize longevity of the fixture, do not mount near heat sources.
- The use of accessory equipment not recommended by the manufacturer may cause an unsafe condition and/or void warranty.
- This fixture is designed for general lighting purposes. Do not use fixture for other than intended use.

SAVE THESE INSTRUCTIONS

INSTALLATION

1. **BEFORE INSTALLING, MAKE SURE THAT THE CIRCUIT IS DEACTIVATED.**
2. THE DRIVER IN THIS FIXTURE IS DESIGNED TO OPERATE ON GROUNDED NEUTRAL SYSTEMS ONLY.
3. Before installing, check the fixture label to insure correct voltage and frequency.
4. Note: To access driver/wiring, remove #8-32 phillips head screws from lens frame, remove 1/4"-20 phillips head screws from cover/reflector and remove cover/reflector.
5. Refer to the following pages for Typical LE101 Series fixture mounting. Mounting hardware is not supplied.
6. Install fixture to structure using mounting holes. Wire fixture through conduit hub when applicable according to schematic on driver.
7. Install cover/reflector and replace fasteners.
8. Installation of light fixture onto structure is now complete.

OPERATIONAL DATA

Operate this fixture at its rated voltage. NOTE: REFER TO LED DRIVER IN FIXTURE FOR ITS RATED VOLTAGE.

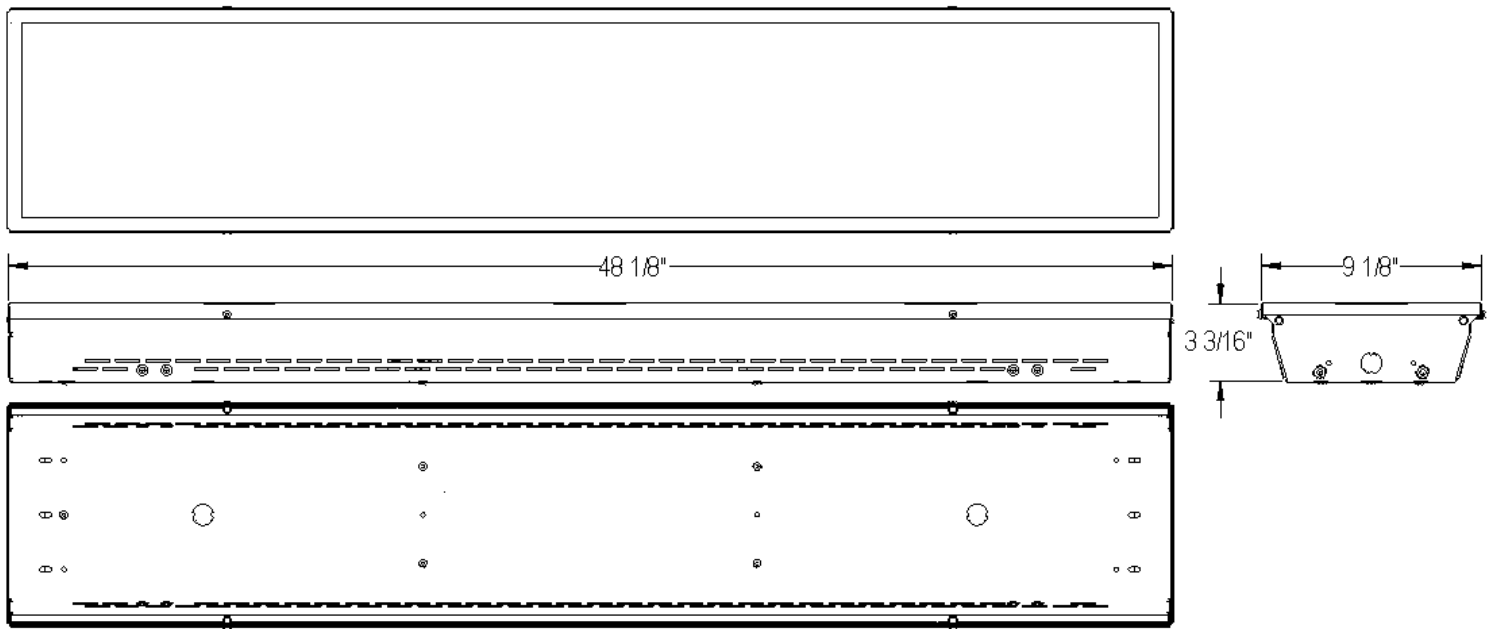
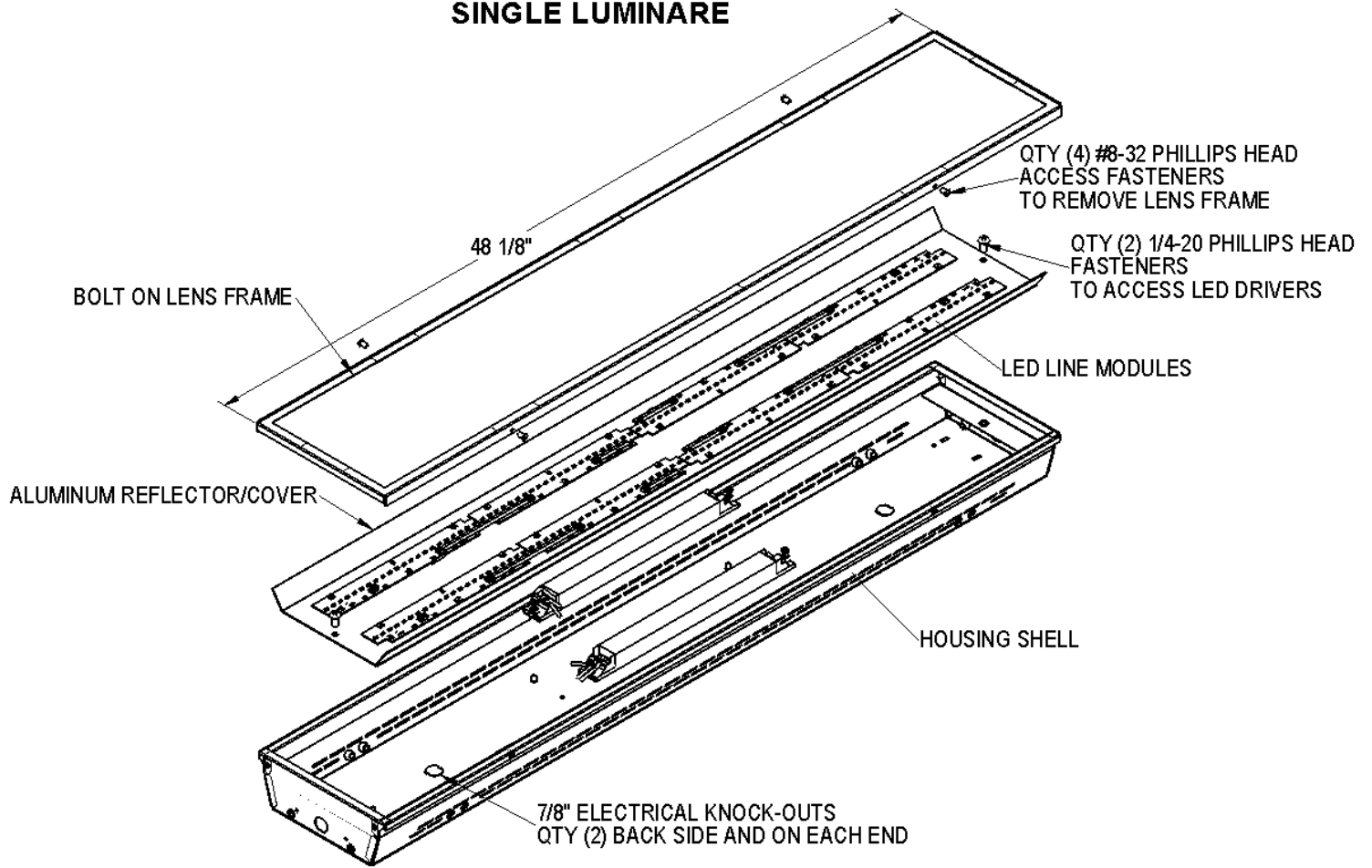
MAINTENANCE DATA

Although no routine maintenance is required to keep this fixture functional, it should be checked periodically to ensure that it is functioning properly and to inspect for external damage.

For optimum performance and longevity:

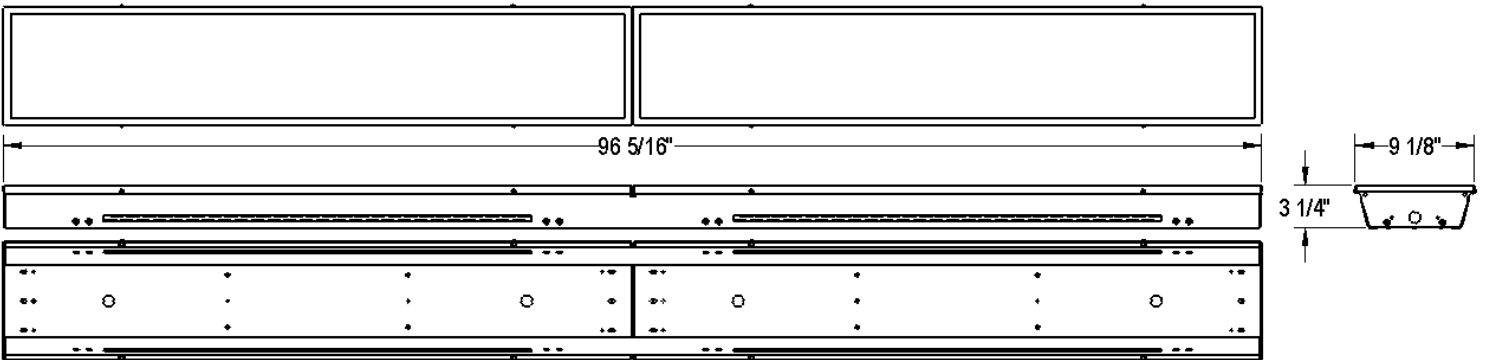
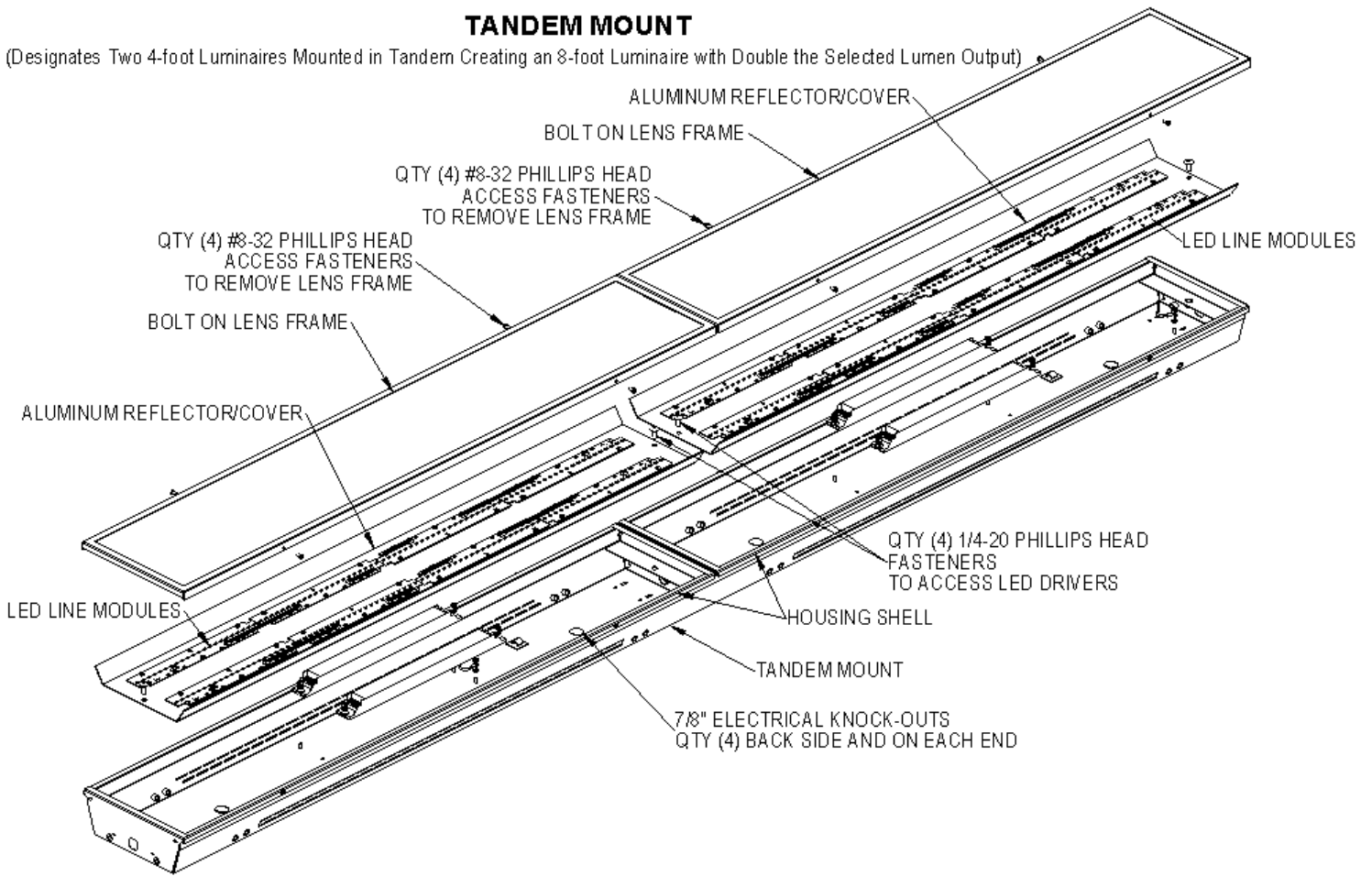
- Keep fixture free of debris and sediment build up.
- keep light transmission lens clean.
- Lens care: While exercising caution to eliminate the ingress of all liquids, rinse the lens with warm water and clean with milde soap solution and lint free cloth.
To remove grease, oil and graffiti, use Isopropyl Alcohol followed by the above soap solution sequence. Avoid cleaning the lens in direct sunlight.
- **To replace LED driver:** disconnect supply circuit. remove fasteners from lens frame, Remove lens frame, remove fasteners from cover/reflector and remove cover/reflector.
- Replace old driver with new driver. Install the cover/reflector in the fixture and replace the fasteners on the cover/reflector. Close lens frame and install fasteners in lens frame to seal.
- In the event of lens breakage, it will be necessary to replace the damaged lens frame assy, in order to maintain the integrity of the fixture.

SINGLE LUMINAIRE



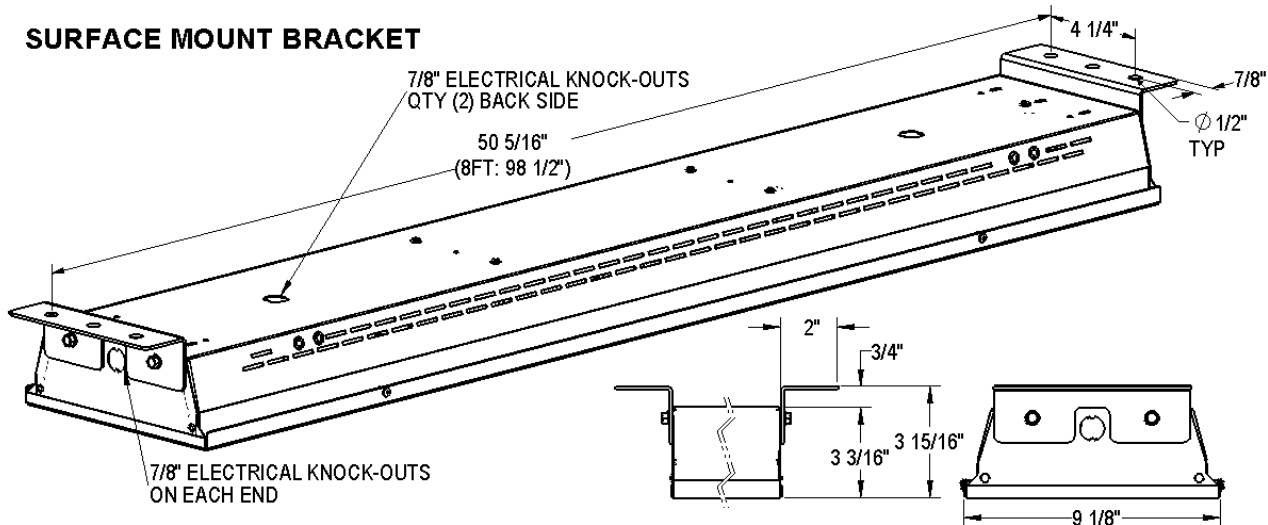
TANDEM MOUNT

(Designates Two 4-foot Luminaires Mounted in Tandem Creating an 8-foot Luminaire with Double the Selected Lumen Output)

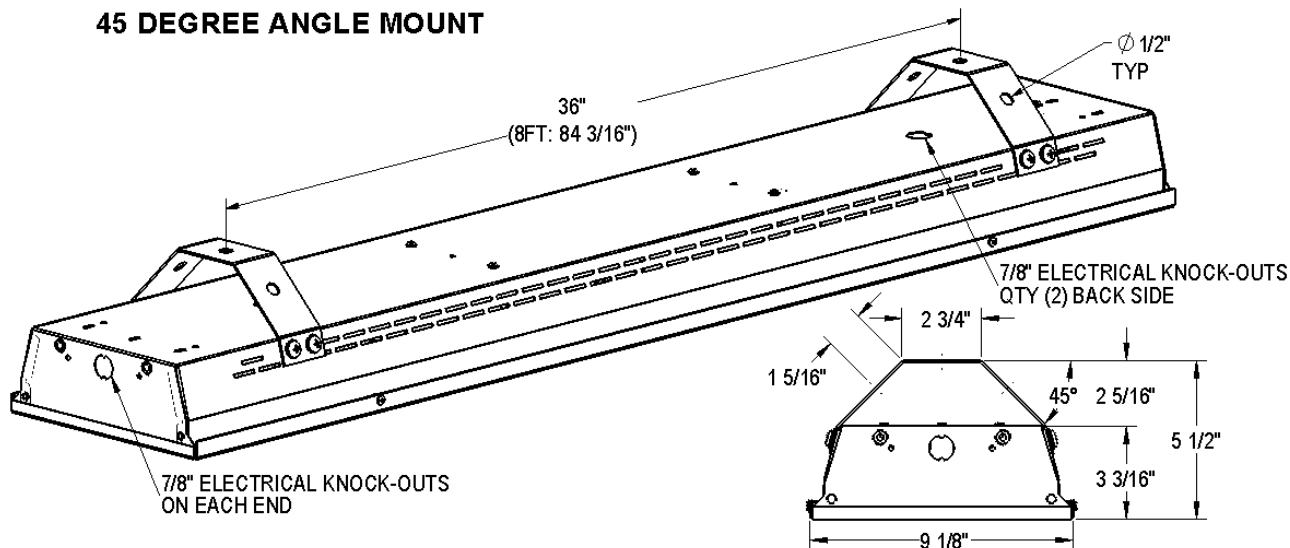


TYPICAL LE101 MOUNTING INSTALLATIONS

SURFACE MOUNT BRACKET



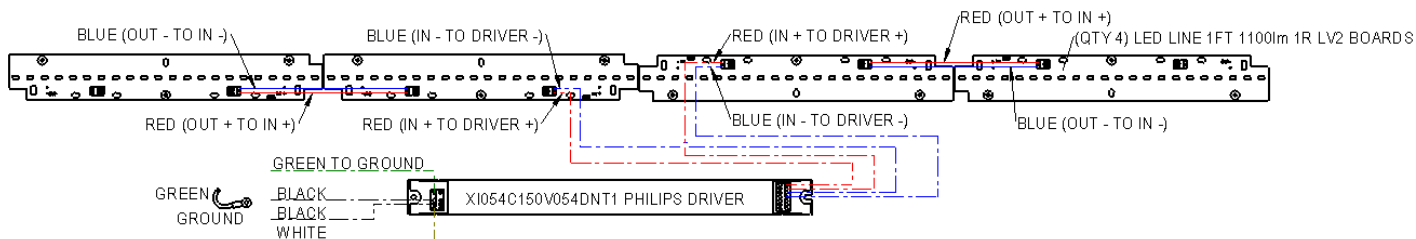
45 DEGREE ANGLE MOUNT



THERE IS A NUMBER OF MOUNTING METHODS THAT ARE NOT SHOWN.

TYPICAL WIRING SCHEMATIC FOR:

4000 LUMENS (Designates 4 Philips Fortimo LED Line 1 ft 1100 lm 1R LV2 boards and 1 Philips XI054C150V054DNT1 LED Driver)
 6000 LUMENS (Designates 8 Philips Fortimo LED Line 1 ft 1100 lm 1R LV2 boards and 2 Philips XI054C150V054DNT1 LED Driver)
 8000 LUMENS (Designates 8 Philips Fortimo LED Line 1 ft 1100 lm 1R LV2 boards and 2 Philips XI054C150V054DNT1 LED Driver)



NOTE: THE LED DRIVER IN THIS FIXTURE IS DESIGNED TO OPERATE ON GROUNDED NEUTRAL SYSTEMS ONLY.

IMPORTANT SAFETY NOTE: THERE IS STILL VOLTAGE INSIDE THE FIXTURE WHEN THE FIXTURE IS OPENED.

WARNING: TO PREVENT THE RISK OF ELECTRICAL SHOCK DEACTIVATE/DISCONNECT THE POWER SUPPLY BEFORE MAINTENANCE OF FIXTURE.

NOTE: REFER TO DIAGRAM ON LED DRIVER WITH SPECIFIC WIRING DETAILS.