



INSTALLATION, OPERATION AND MAINTENANCE INSTRUCTIONS

LE401 SERIES LED LIGHTING FIXTURE

IMPORTANT SAFEGUARDS READ AND FOLLOW ALL SAFETY INSTRUCTIONS BEFORE INSTALLING THIS FIXTURE

- This fixture should be installed by qualified technicians in strict accordance with the National Electric Code and any local requirements.
- To prevent risk of electric shock, deactivate/disconnect power supply before installing or servicing fixture.
- Class 1 wire must be used inside the wiring compartment when applicable
- To maximize longevity of the fixture, do not mount near heat sources.
- The use of accessory equipment not recommended by the manufacturer may cause an unsafe condition and/or void warranty.
- This fixture is designed for general lighting purposes. Do not use this fixture for other than intended use.

SAVE THESE INSTRUCTIONS

1) Before installing, check the fixture label to ensure correct voltage, frequency, and operating temperature.
Do not install where the marked operating temperature exceeds the ignition temperature of the hazardous atmospheres.

2) Wire fixture through conduit hubs or stanchion/wall mount and plug unused conduit connections.
Flexible cord connected fixtures are supplied with 3' of power cord.
Terminate all connections in a listed electrical box and in accordance with the National Electric Code.

NOTE: Conduit hubs are pre-lubricated with a non-hardening thread compound.

3) Refer to the following pages for typical fixture mounting. Mounting hardware is not supplied.

Note: To ease installation, remove driver housing casting from the luminaire.

Please refer to the following steps for driver housing removal & assembly:

- Unscrew the captive 1/4" recessed fastener on the lens side of the fixture to access the internal wiring (3/8" hex socket required).
- Unhook the black and red wires from the connectors. Refer to schematic on last page for reassembly.
Note: for Pendant and stanchion mounts, it may be necessary to loosen/remove the LED driver to allow entry for power conductors. This is accomplished by loosening or removing the (2) #8 pan head screws that fasten the driver to the casting. Upon reassembly, the driver must sit flush against the casting.
- Remove the (2) 1/4" fasteners at the base (hinge) of the driver housing (7/16" hex socket required).
- Mount the driver housing as intended. When mounting is complete, assemble the fixture by following the previous steps in reverse order.

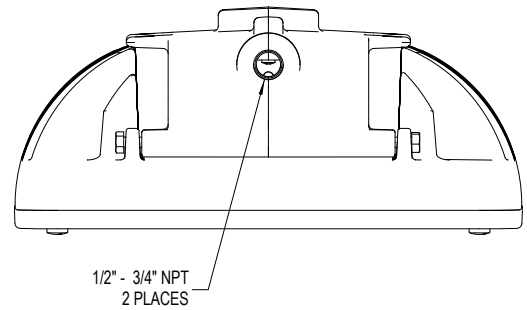
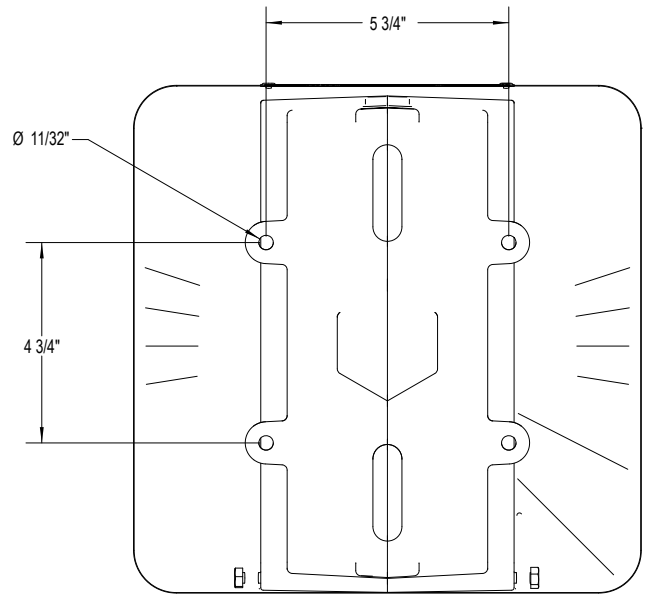
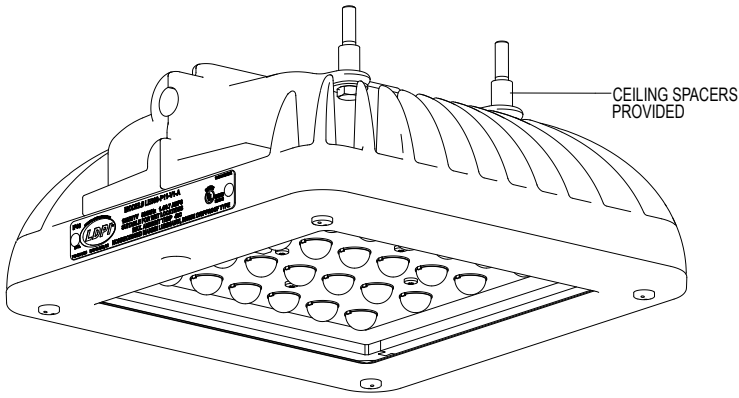


LE401 SERIES MOUNTING OPTIONS

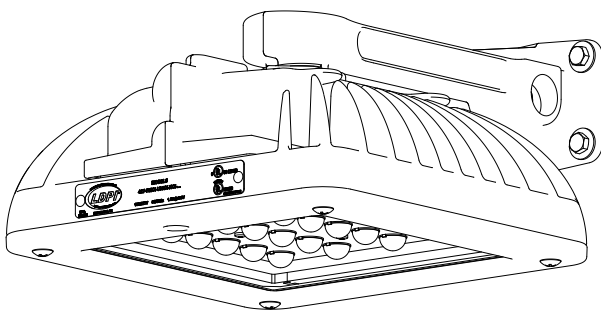
This luminaire is designed to be mounted in the orientations illustrated below.

Mounting this luminaire other than what is illustrated below may cause an unsafe condition and /or void the warranty.

CEILING MOUNT

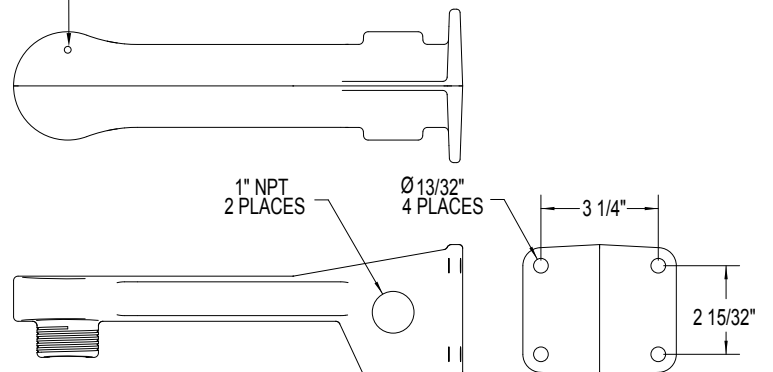


WALL MOUNT



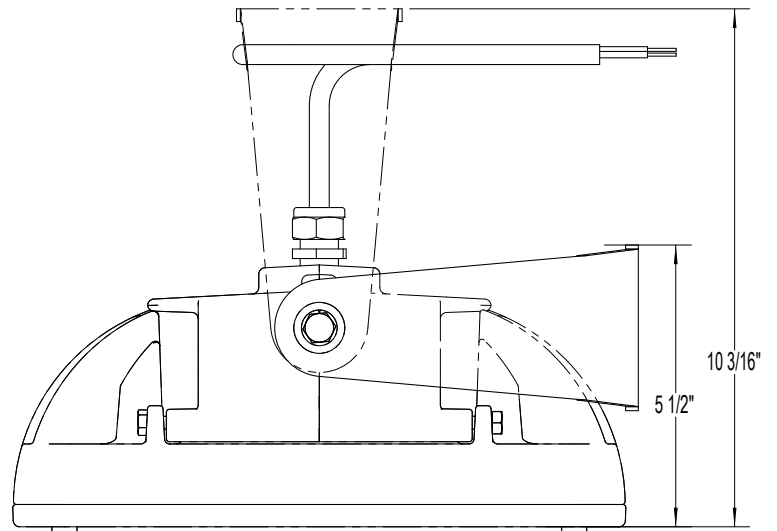
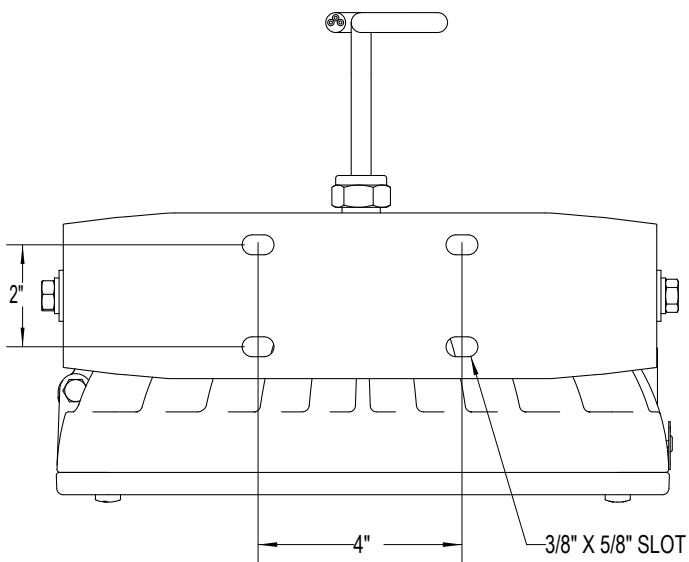
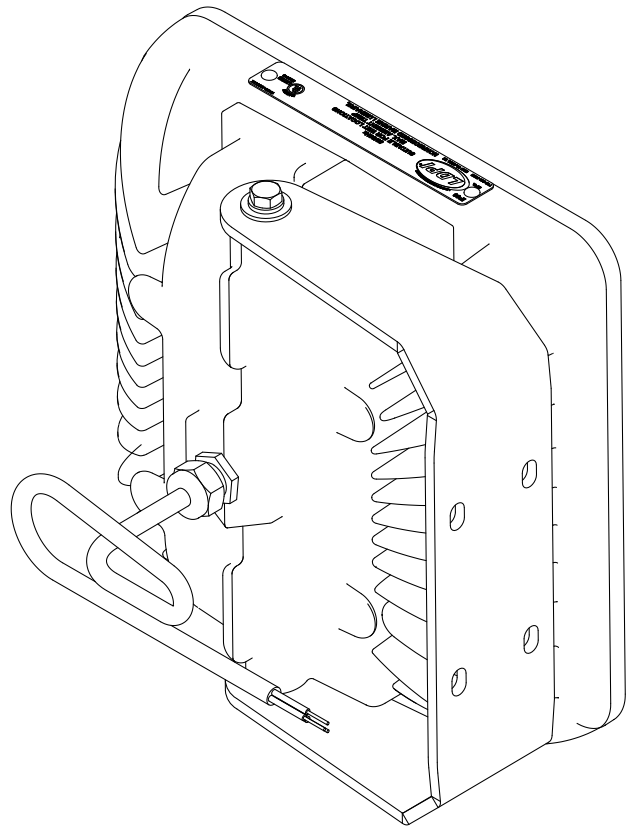
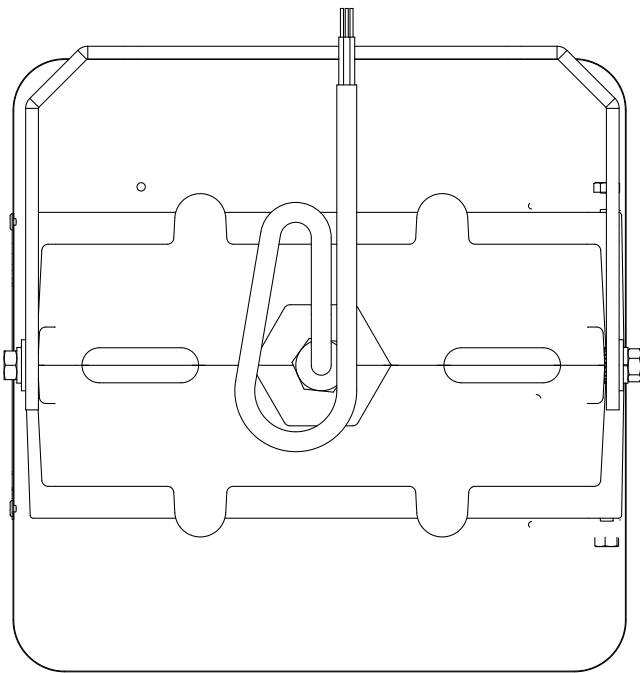
1/4" SET SCREW

WALL MOUNT HOLE DETAIL



Securely tighten set screws when desired fixture orientation is achieved and the conduit connection is tight.

YOKE MOUNT

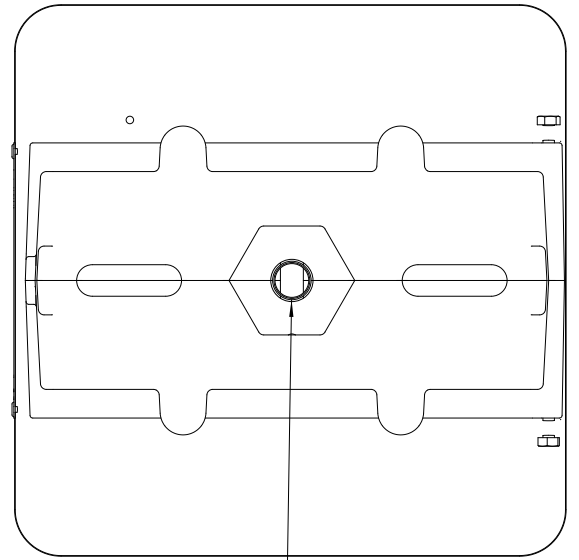
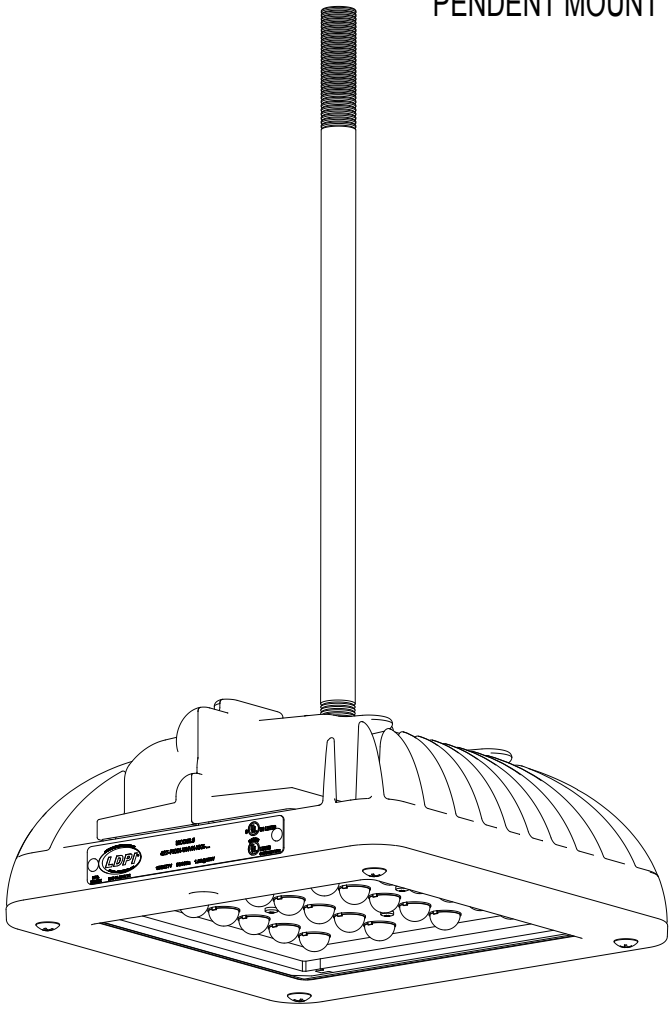


NOTE: It is not necessary to remove the yoke mount to install the fixture. If removal of the yoke mount is required, remove the lock nut from each side of the yoke and flex the yoke bracket off of the Set Screw/Studs.

DO NOT attempt to remove the Set Screw/Studs! Removing the Set Screw/Studs will result in damage to the driver housing.

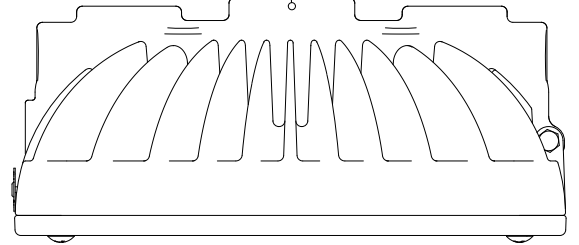
Securely tighten yoke mount fasteners when desired fixture orientation is achieved.

PENDENT MOUNT



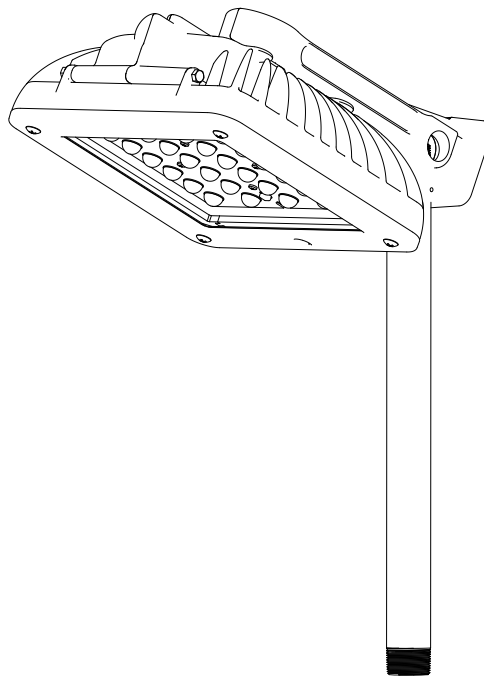
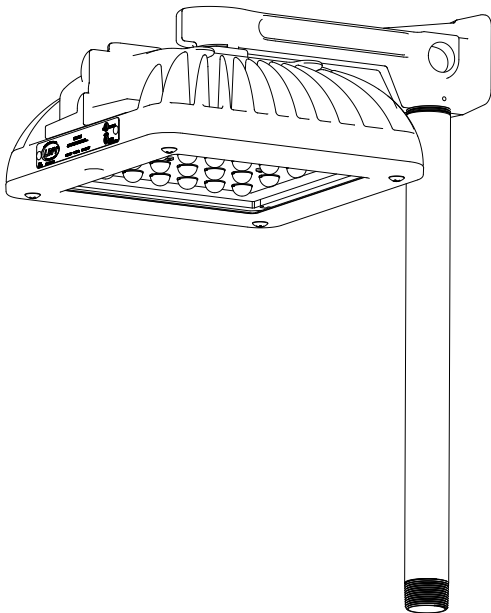
3/4" NPT

#8 SET SCREW



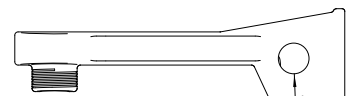
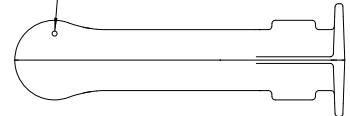
STANCHION MOUNT

25° ANGLED STANCHION MOUNT

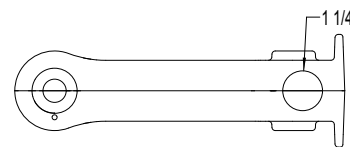


STANCHION MOUNT HOLE DETAIL

1/4" SET SCREW



#8 SET SCREW
1" NPT



Securely tighten set screws when desired fixture orientation is achieved and the conduit connection is tight.

LE401 SERIES MAINTENANCE

Although no routine maintenance is required to keep this fixture functional, it should be checked periodically to ensure that it is functioning properly, and to inspect for external damage.

For optimal performance and longevity:

- Keep fixture free of debris and sediment build up.
- Keep light transmission lens clean. Refer to the following guide for recommended cleaning methods.

The following methods are to be only used with the lens assembly securely attached to the fixture.

- Glass care: Rinse the lens with warm water and clean with a mild soap solution or commercially available glass cleaner and a lint free cloth; rinse well. To remove grease, oil and graffiti, use Isopropyl Alcohol or kerosene followed by the above soap solution sequence. Avoid cleaning the lens in direct sunlight.

In the event of lens breakage, it will be necessary to replace the entire lens assembly.
Contact the factory for replacement details.

LE401 SERIES SCHEMATIC

