

# INSTALLATION INSTRUCTIONS FOR THE POLYCARBONATE PROTECTIVE LENS KIT P/N 3318

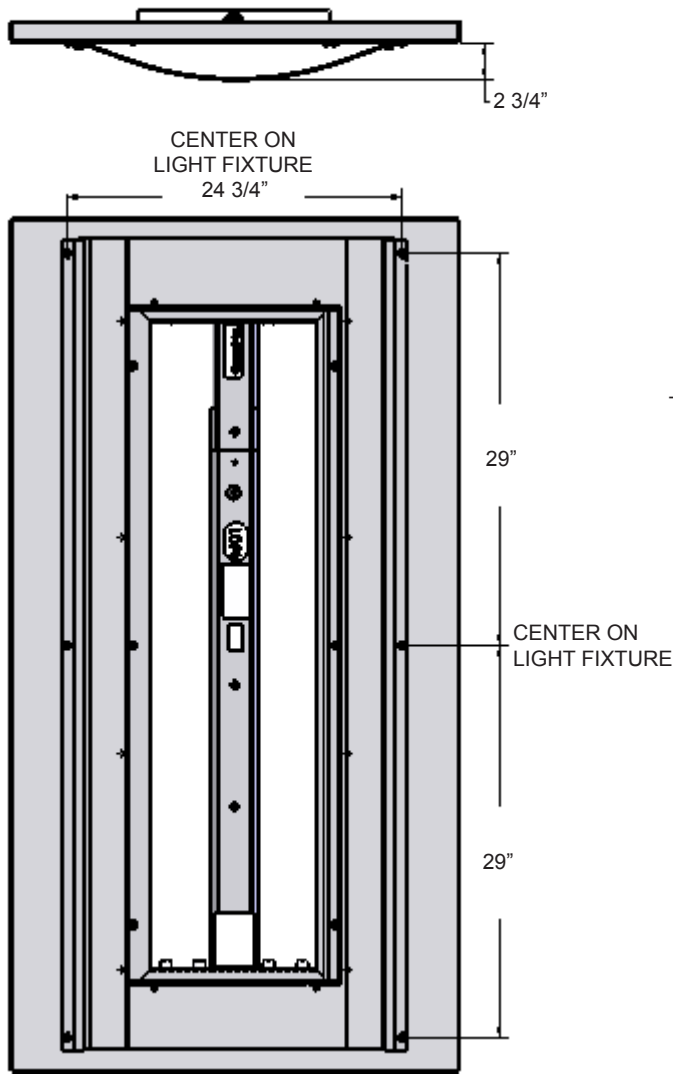
1. Mark hole pattern on booth panel to the dimensions shown in figure 1 below.  
Note: It is recommended to mount light fixtures vertically in blast booth applications.

2. Punch or drill the (6) marked holes in panel from step 1.  
Note: Fasteners not included. Punch or drill size is dependent upon fasteners chosen by the installer.

3. Attach aluminum tee frames to panel as shown in figure 2 below.

4. Center shield over the light fixture and place the sides of the shields into the aluminum tee frames as shown in figure 3 below. There should be approximately 2 3/4" gap between the panel and the center of the lens for air flow. Installation of the protective shield is complete.

Note: Light fixture should be installed by qualified technicians in strict accordance with the National Electric Code and any local requirements



BOLT PATTERN FOR MOUNTING ALUMINUM TEE FRAMES **FIGURE 1**

