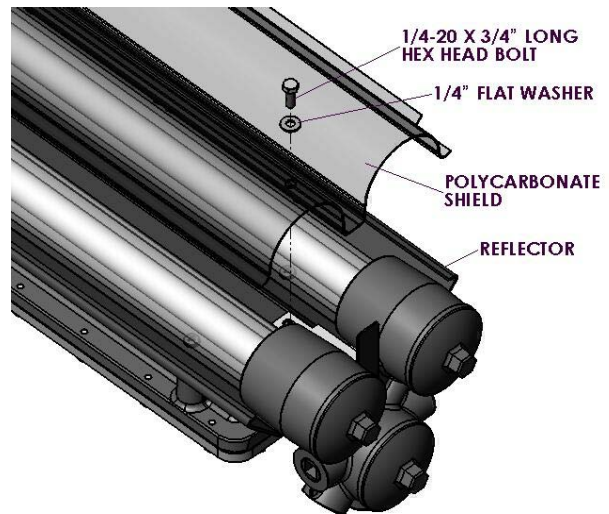
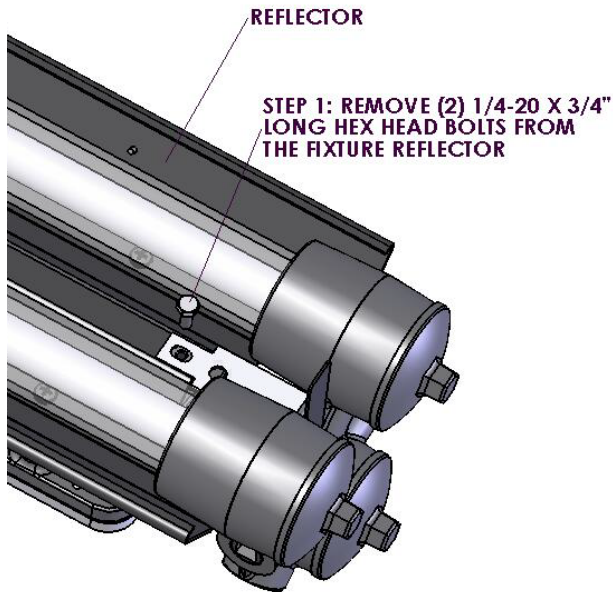




# INSTALLATION INSTRUCTIONS FOR POLYCARBONATE SHIELD KIT P/N 4464 (2FT) 4209 (4FT) 2 LAMP FLUORESCENT LIGHT FIXTURES

1. Remove (2) 1/4-20 x 3/4" long hex head bolts from the fixture reflector.
2. Position polycarbonate shield on light fixture so that sides of shield fit up into reflector as shown.
3. Secure shield to fixture using 1/4-20 x 3/4" long hex head bolts with flat washers between bolt and shield.
4. Installation of the polycarbonate shield onto the light fixture is now complete.
5. This fixture should be installed by qualified technicians in strict accordance with the National Electrical Code and any local requirements.

**NOTE: FOR 4 LAMP FIXTURE USE 2 POLYCARBONATE SHIELD KITS OF P/N 4209**



STEP 3: SECURE POLYCARBONATE SHIELD TO FIXTURE USING 1/4-20 X 3/4" LONG HEX HEAD BOLTS WITH 1/4" FLAT WASHERS BETWEEN BOLT AND SHIELD

STEP 2: POSITION POLYCARBONATE SHIELD ON LIGHT FIXTURE SO THAT SIDES OF SHIELD FIT UP INTO REFLECTOR AS SHOWN

