



INSTALLATION, OPERATION AND MAINTENANCE INSTRUCTIONS

380 EXPLOSION PROOF FLUORESCENT LIGHTING FIXTURES

WARNING!

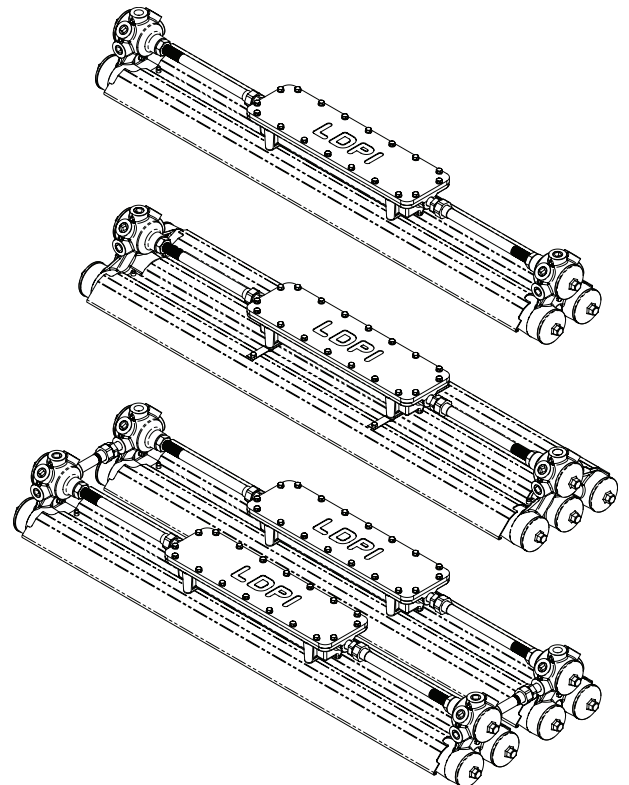
1. TO PREVENT THE RISK OF ELECTRICAL SHOCK DEACTIVATE/DISCONNECT THE POWER SUPPLY BEFORE INSTALLING OR RELAMPING FIXTURE.
2. TO REDUCE RISK OF FIRE OR EXPLOSION, DO NOT INSTALL WHERE THE MARKED OPERATING TEMPERATURE EXCEEDS THE IGNITION TEMPERATURE OF THE HAZARDOUS ATMOSPHERE(S).
3. THIS FIXTURE SHOULD BE INSTALLED BY QUALIFIED TECHNICIANS IN STRICT ACCORDANCE WITH THE NATIONAL ELECTRICAL CODE AND ANY LOCAL REQUIREMENTS.

INSTALLATION

1. Before installing, make sure that the circuit is deactivated.
2. This unit is furnished completely assembled. Before installing, check the fixture label to insure correct voltage and frequency.
3. The ballast in this fixture is designed to operate on grounded neutral systems only.
4. Typical Explosion-Proof Series fixture installations are shown on page 2.



LDPI, Inc.
4404 Anderson Drive
Eau Claire, WI 54703
TOLL FREE
1-800-854-0021
Web: www.ldpi-inc.com
E-mail: sales@ldpi-inc.com

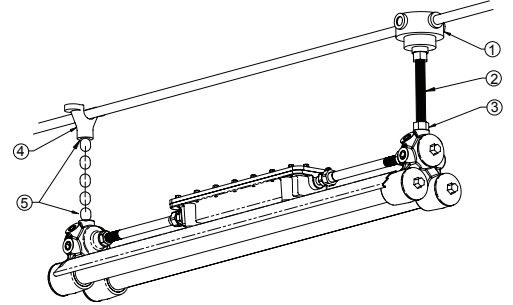


TYPICAL EXPLOSION-PROOF INSTALLATIONS

Dummy (non-powered) end lowers for relamping clearance which is required when fixtures are mounted in close proximity. Flexible mounting provides free swing and impact protection.

1. Splice Box/Fixture Hanger
2. Flexible Pendant Hanger
3. Union
4. Rigid Support
5. Support Hook

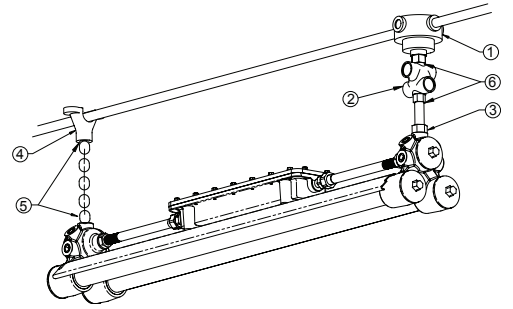
NOTE: Leave extra links to support fixture in relamping positions.



Dummy (non-powered) end lowers for relamping clearance which is required when fixtures are mounted in close proximity.

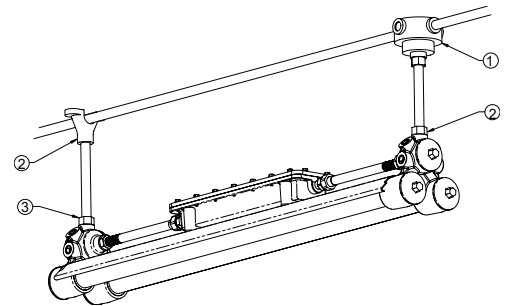
1. Splice Box/Fixture Hanger
2. Swivel Hanger
3. Union
4. Rigid Support
5. Support Hook
6. Conduit Nipple

NOTE: Leave extra links to support fixture in relamping positions.



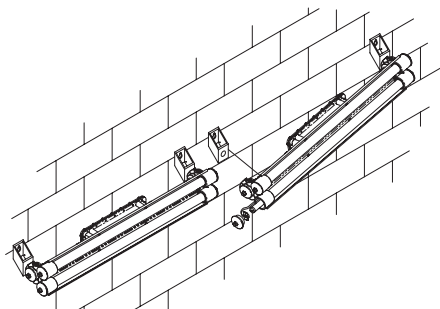
Rigid mounted — for installations where relamping can be accomplished without lowering dummy end.

1. Splice Box/Fixture Hanger
2. Union
3. Rigid Support



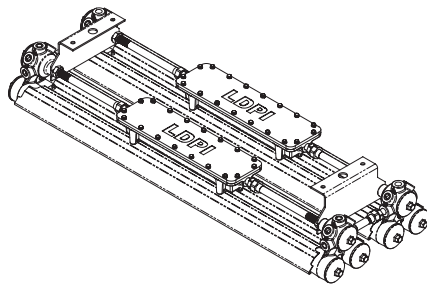
WALL/CEILING MOUNT KIT (2 and 3 LAMP)

Part Number: 4401
Includes 2 brackets
2 hex head pipe thread screws
1 safety cable and assorted screws.



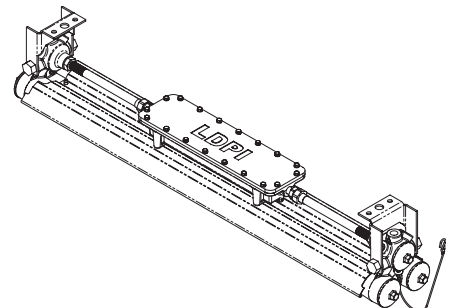
WALL/CEILING MOUNT KIT (4 LAMP)

Part Number: 4400
Includes 2 brackets
4 hex head jam nuts.



DROP MOUNT KIT

2 and 3 Lamp P/N: 4405 4 Lamp P/N: 4403
Includes 2 brackets
4 1/2 NPT bolts
1 safety cable and hook.
Can be mounted several ways to fit application.

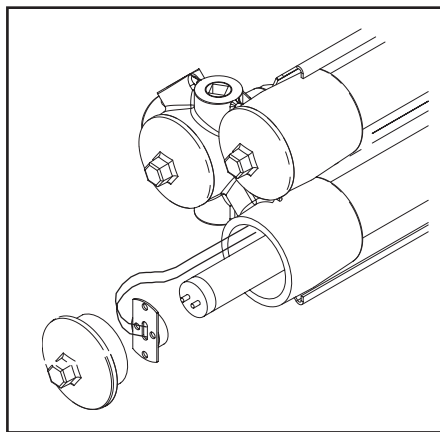


OPERATIONAL DATA

1. Operate this fixture at its rated voltage. See fixture label for data. Do not install where the marked operating temperature exceeds the ignition temperature of the hazardous atmospheres. See Temperature Code Plate on fixture

MAINTENANCE DATA

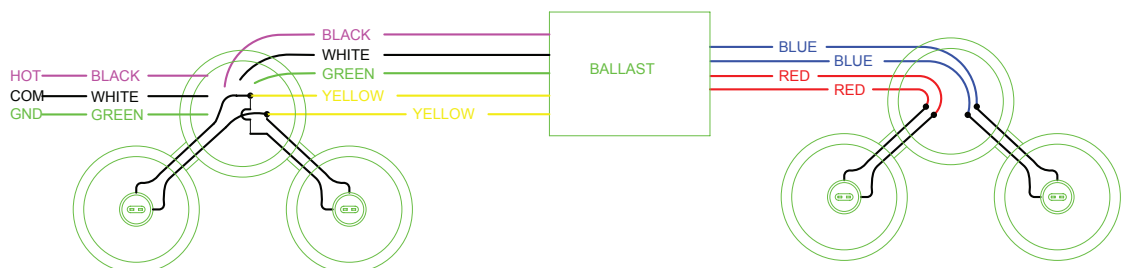
1. Although no routine maintenance is required to keep this fixture functional, it should be checked periodically to ensure that it is working properly, and to look for any external damage.
2. For optimum performance, keep light transmission parts of the fixture clean. Any commercial glass cleaner can be used to clean the glass tubes.
3. To Relamp: disconnect supply circuit. Remove the cover on either side of the fixture. Remove screws. Remove lampholder bracket. Withdraw old lamp. Remove rubber lamp washer from old lamp and slip it on end of new lamp. (Washer will aid in lining lamp up with lampholder). Insert new lamp in the opposite lampholder (Washer end first). Replace lampholder into position on the lamp. Tighten screws. Replace cover.



4. An optional Stainless Steel Wire Guard, Polycarbonate Shield or both can be installed on either fixture to protect PYREX glass tubes.

WIRE GUARD:	2 FT. P/N: 4466	POLYCARBONATE SHIELD:	2 FT. P/N: 4464
	4 FT. P/N: 4211		4 FT. P/N: 4209

5. In the event of PYREX glass tube breakage, it will be necessary to replace the damaged unit with the factory sealed housing assembly, in order to maintain the integrity of the fixture. See the fixture parts list for ordering.
6. When replacing Ballast, it would be of Class-P, thermally-protected type.





LDPI, Inc.
4404 Anderson Drive
Eau Claire, WI 54703
TOLL FREE
1-800-854-0021
Web: www.ldpi-inc.com
E-mail: sales@ldpi-inc.com