



INSTALLATION, OPERATION AND MAINTENANCE INSTRUCTIONS

LENM LED HAZARDOUS LOCATION LIGHT FIXTURE

WARNING!

1. TO PREVENT THE RISK OF ELECTRICAL SHOCK DEACTIVATE/DISCONNECT THE POWER SUPPLY BEFORE INSTALLING THE FIXTURE.
2. THE DRIVER IN THIS FIXTURE IS DESIGNED TO OPERATE ON GROUNDED NEUTRAL SYSTEMS ONLY.
3. THIS FIXTURE SHOULD BE INSTALLED BY QUALIFIED TECHNICIANS IN STRICT ACCORDANCE WITH THE NATIONAL ELECTRICAL CODE AND ANY LOCAL REQUIREMENTS.

Operational Data

1. Operate this fixture at its rated voltage. Do not install where the marked operating temperature exceeds the ignition temperature of the hazardous atmospheres. See fixture label for data.

Housing

- Nonmetallic glass reinforced polyester
- Stainless steel latches
- 1/2" NPT hub located on each end of fixture
- Frosted acrylic lens (standard)



Installation, Operation, and Maintenance

Standard Fixture

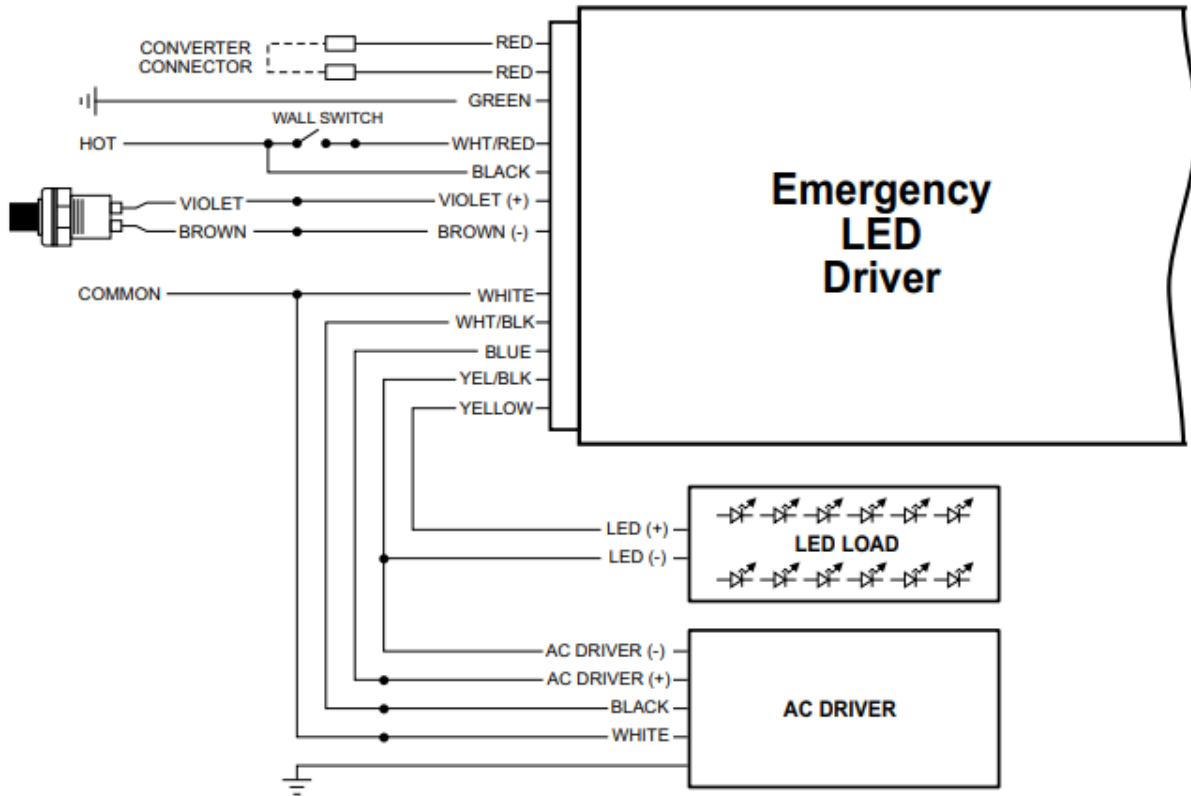
1. Install fixture to the mounting surface at the four mounting locations. 1/4-20 stainless steel bolts are recommended to mount the fixture.
2. Wire fixture through desired hub. Connect black to black, white to white, and green to green, according to NEC requirements.

Emergency Fixture

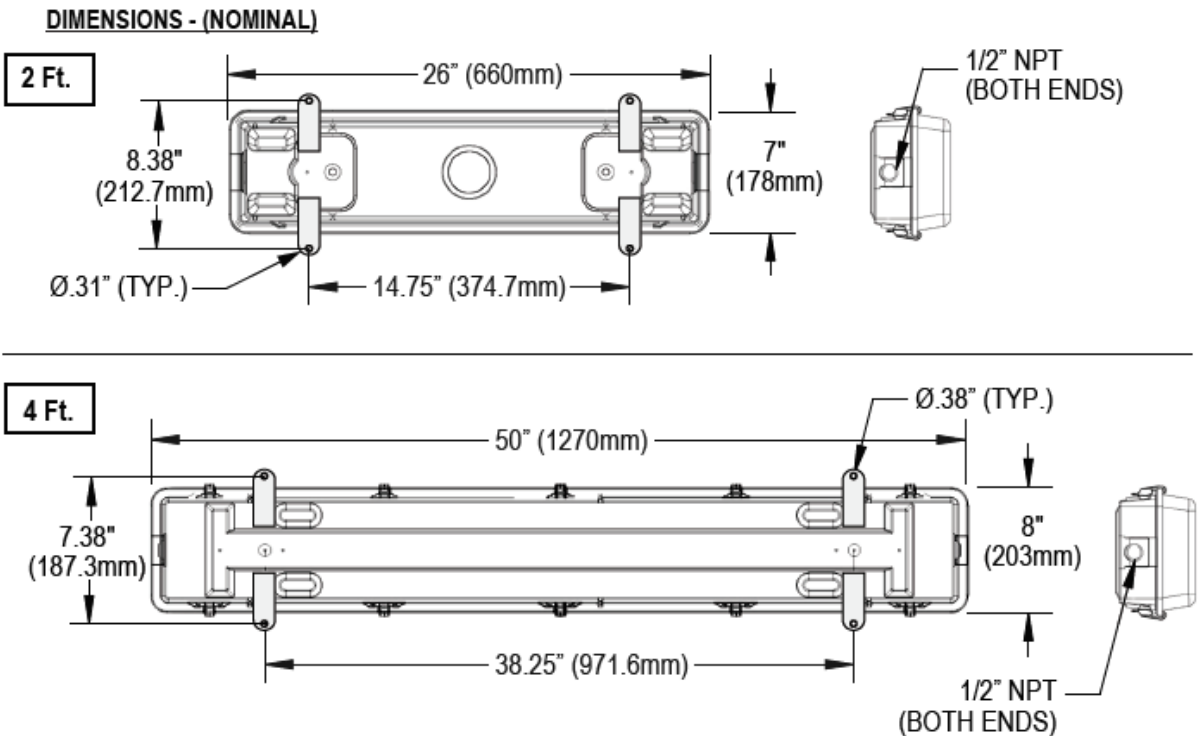
IMPORTANT SAFEGUARDS:

1. To prevent high voltage from being present on yellow & yellow/black output leads prior to installation, converter connector must be open. Do not join converter connector until installation is complete and AC power is supplied to the emergency driver.
2. This product is for use with an emergency LED lighting load and supplies up to 10.0 W of power (measured at nominal battery voltage) with a maximum rated current of 450 mA with a maximum voltage of 50 VDC in emergency mode for a minimum of 90 minutes.
3. Make sure all connections are in accordance with the National Electrical Code and any local regulations.
4. To reduce the risk of electric shock, disconnect both normal and emergency power supplies and converter connector of the emergency driver before servicing.
5. This product is suitable for use in damp locations where the ambient temperature is 0°C minimum, +55°C for heated air outlets and wet or hazardous locations.
6. An unswitched AC power source is required (120-277 VAC, 50/60 Hz).
7. Do not install near gas or electric heaters.
8. Do not attempt to service the battery. A sealed, no-maintenance battery is used that is not field replaceable. Contact the manufacturer for information on service.
9. The use of accessory equipment not recommended by the manufacturer may cause an unsafe condition.
11. Do not use this product for other than intended use.
12. Servicing should be performed by qualified service personnel.
13. Equipment should be mounted in locations and at heights where it will not be subjected to tampering by unauthorized personnel.

Wiring Diagram - Emergency



Product Dimensions



Servicing

- Servicing should be performed by qualified service personnel. To avoid personal injury, disconnect power to the fixture and allow it to cool down before performing maintenance.
- Perform visual, electrical, and mechanical inspections on a regular basis. The environment and frequency of use should determine this. However, it is recommended that checks should be made at least once a year.
- The external lens should be cleaned periodically to ensure continued performance. Clean the lens with a clean, damp, non-abrasive, lint-free cloth. If this is not sufficient, use a mild soap or a liquid cleaner. Do not use an abrasive, strong alkaline or acid cleaner as damage may occur.
- Inspect the fixture to ensure that it is free of any contamination (i.e. excessive dust build-up). Clean with a non-abrasive cloth if needed. Mechanically check to make sure all parts are properly assembled.
- Electrically check to make sure that all connections are clean and tight.