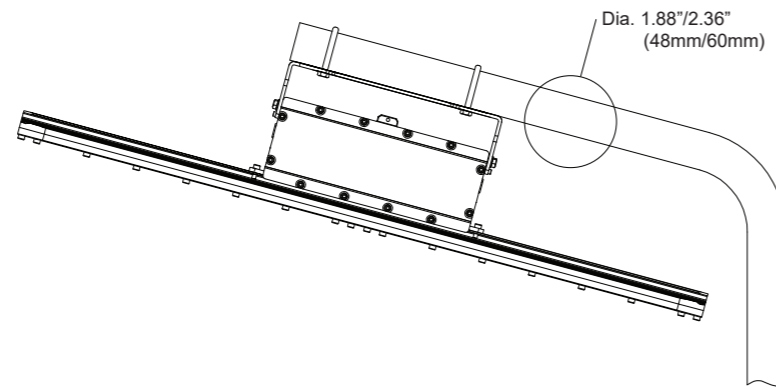
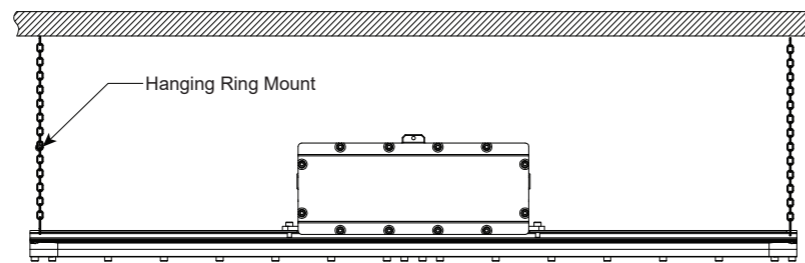


Stanchion Mount



Hanging Ring Mount



Servicing

LEXS-EM

- To avoid personal injury, disconnect power to the fixture and allow it to cool down before performing maintenance.
- Perform visual, electrical, and mechanical inspections on a regular basis. The environment and frequency of use should determine this. However, it is recommended that checks should be made at least once a year.
- The external glass should be cleaned periodically to ensure continued performance. Clean the glass with a clean, damp, non-abrasive, lint-free cloth. If this is not sufficient, use a mild soap or a liquid cleaner. Do not use an abrasive, strong alkaline, or acid cleaner as damage may occur.
- Inspect the cooling fins on the fixture to ensure that they are free of any contamination (i.e. excessive dust build-up). Clean with a non-abrasive cloth if needed. Mechanically check to make sure all parts are properly assembled.
- Electrically check to make sure that all connections are clean and tight.



Image is for illustration purposes only. Models may vary slightly.



INSTALLATION, OPERATION AND MAINTENANCE INSTRUCTIONS

LEXS-EM LED EXPLOSION PROOF LIGHTING FIXTURES

Class I Div. 1 (Grps C,D) / Class I Div. 2 (Grps C,D)  
 Suitable for locations having deposits of readily combustible paint residues  
 (Suitable for Class I, Division 1)

**WARNING!**

1. TO PREVENT THE RISK OF ELECTRICAL SHOCK DEACTIVATE/DISCONNECT THE POWER SUPPLY BEFORE INSTALLING THE FIXTURE.
2. THE DRIVER IN THIS FIXTURE IS DESIGNED TO OPERATE ON GROUNDED NEUTRAL SYSTEMS ONLY.
3. THIS FIXTURE SHOULD BE INSTALLED BY QUALIFIED TECHNICIANS IN STRICT ACCORDANCE WITH THE NATIONAL ELECTRICAL CODE AND ANY LOCAL REQUIREMENTS.

Operational Data

1. Operate this fixture at its rated voltage. Do not install where the marked operating temperature exceeds the ignition temperature of the hazardous atmospheres. See fixture label for data.
2. This fixture is intended to be connected to a properly installed and grounded UL listed junction box.

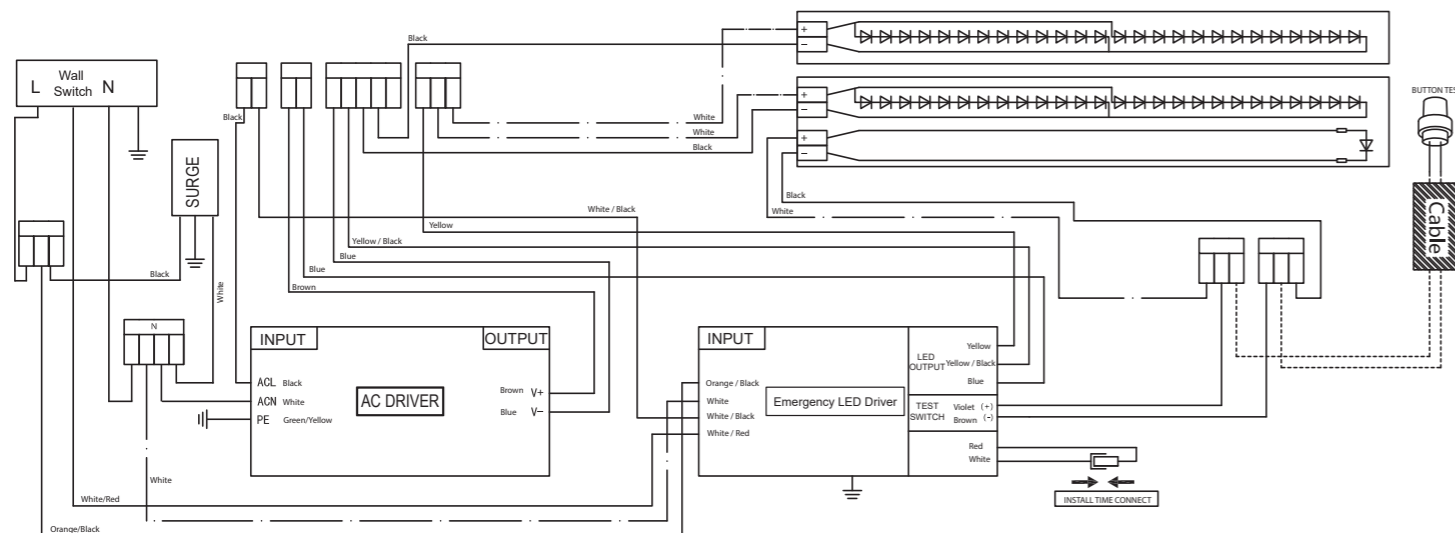
Housing

- Heavy-duty anodized die cast aluminum
- Long lasting and durable powder coat finish
- Over-voltage, and over-heat protection
- Excellent anti-corrosive property

**General Wiring Diagram**

CAUTION: Turn off electrical power at fuse or circuit breaker box before wiring fixture to the power supply.

Connecting panels to the AC source supply:



**Electrical Connection**

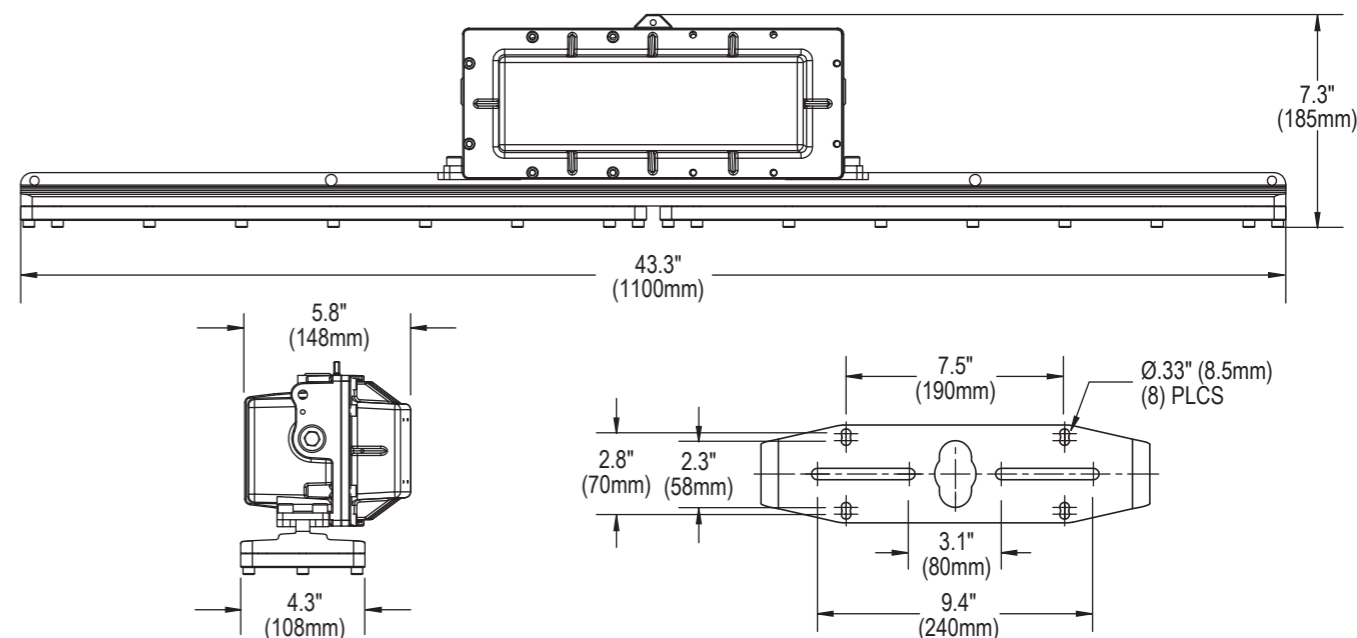
1. Loosen the (12) M6 socket head screws on the driver housing cover.
2. Connect suitable conduit to the desired location on the driver housing (3/4 NPT).
3. Feed wires through conduit into the driver housing and connect to terminal block.
4. Connect the branch circuit wires as indicated above.
5. Connect the converter connector.
6. Re-attach the driver housing cover with the (12) M6 socket head screws and torque to 7 N-m.
7. Verify tightness of conduit connection points and driver housing cover.

**Remote Test Switch Installation (Hazardous Location or Non-Hazardous Location)**

1. The remote test switch must be certified for the area in which it will be installed.
2. The remote test switch must be a manually operated type.
3. The remote test switch must consist of:
  - a. Operated type and of momentary-contact type -or-
  - b. Maintained-break type that opens all ungrounded conductors and is accesible to authorized person.
4. The remote test switch must be installed in accordance with the NEC.
5. The remote test switch must be identified as to its function. (i.e. "Emergency Luminaire Test Switch")
6. When the remote test switch is installed, it must be connected so that when it is pressed it provides a transfer function, disconnects and isolates the normal input from the emergency input.

**Remote Test Switch Rating**

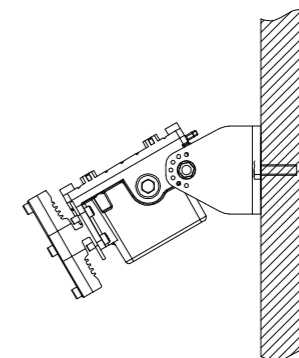
6 Vdc / 0.5 A / lead wiring R/C (AVLV2/8) / 105°C min. / 600 Vac min.



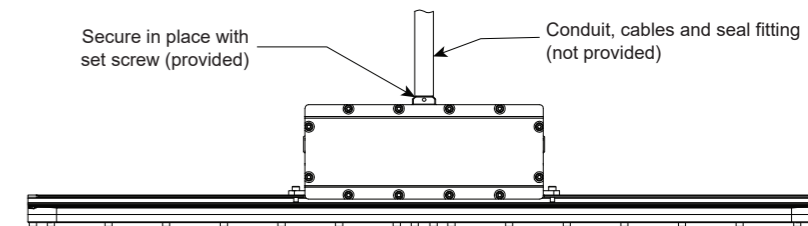
**Mounting Options**

Not suitable for paint spray application unless aluminum hardware is used for all mounting options. Aluminum hardware is required for paint spray application.

**Wall Type Mount**



**Pendant Mount**



**Ceiling Type Mount**

