

INSTALLATION INSTRUCTIONS FOR 4 FT., SLIM LIGHT SERIES INSIDE ACCESS, 460 MA T-5HO EMERGENCY BALLAST FLUORESCENT LIGHT FIXTURES FOR PAINT BOOTH APPLICATIONS

1. Mark opening pattern on booth panel where fixture is to be located as shown per customer's applications.
2. Cut opening in booth panel using suitable tools.
3. Place light fixture into opening in booth panel, center, and mark locations of mounting holes. (Three ft. fixtures have 10 mounting holes. Four and five ft. fixtures have 12 mounting holes.)
4. Remove fixture from booth panel and punch the 5/16" dia. mounting holes in panel.
5. Install light fixture into panel from inside of booth as shown. For horizontal mounting, mount with hinge on top side.

NOTE: Before installing fixture, make certain mounting gasket is installed on bottom surface of light mounting flange. Install mounting fasteners (not provided) and secure to booth panel. Customer is responsible for providing any panel reinforcements needed for mounting.

6. Installation of light fixture into booth panel is now complete.

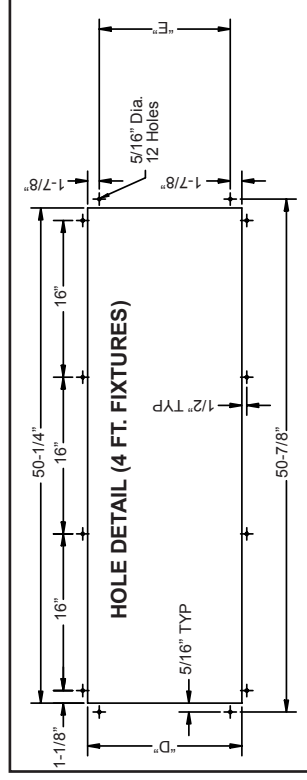
NOTE: When installing lamp -- fixtures are rated for T-5HO lamps only.

7. This fixture should be installed by qualified technicians in strict accordance with the National Electrical Code and any local requirements.
8. Wire fixture through conduit hub according to schematic on back of ballast. Fixtures are meant for through feed wiring. If not through feed wiring, install 1/2" plug on unused conduit hub.

NOTE: Light fixtures are provided with an interlock switch which has normally open contacts which open when fixture is accessed from the inside of the paint spray booth. This switch is to be wired in such a way that it disables paint spray equipment when the front of the light is opened.

IMPORTANT: 10 Watt magnetic switches are not prewired. (Wiring performed by others). It may be desired by others to run separate power for this supply to segregate relay from light power. *The magnetic microswitch is **NOT** designed to directly control light operation.

Since these fixtures can be accessed from inside the paint spray booth, a 2" x 3 1/2" label stating: "Caution - Do not operate paint spray equipment when fixture frame is opened. Keep the fixture frame tightly closed while paint spray equipment is operating", is included with each fixture. One label, P/N 1676, should be secured near each fixture unless agreeable to all concerned.

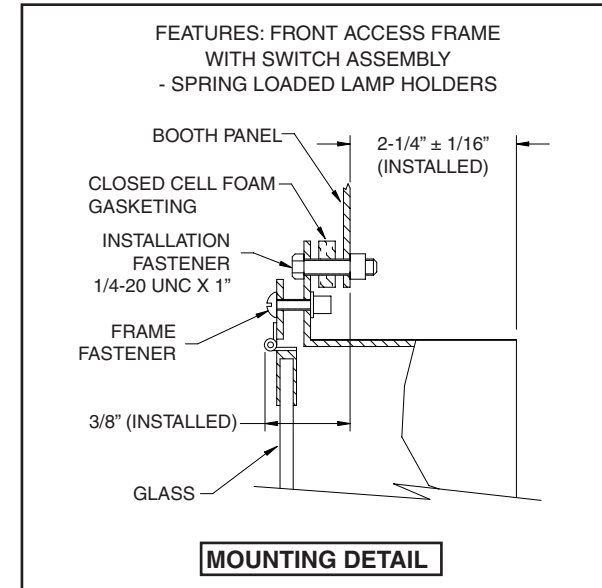
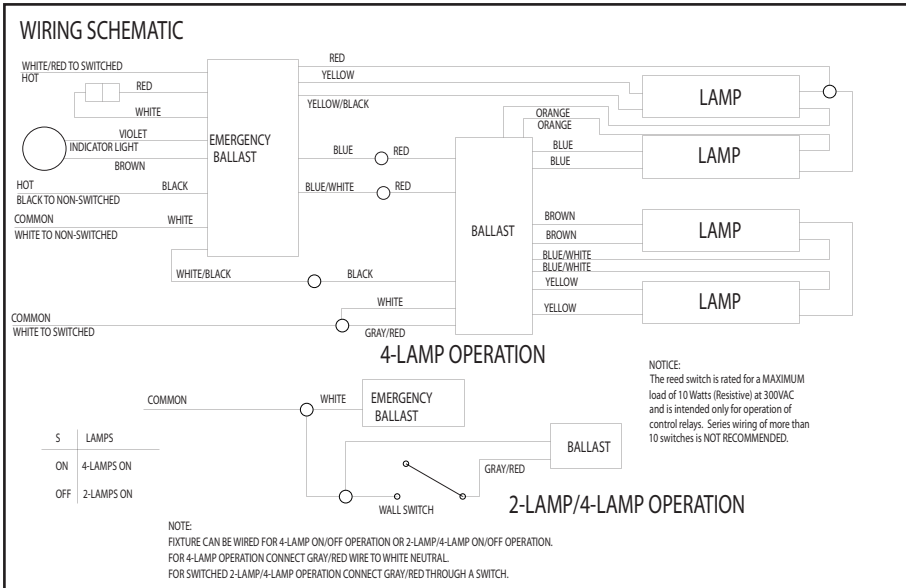


Dimensions		
Type	"D"	"E"
2 Lamp Fixture	10-3/4"	7"
4 Lamp Fixture	15-3/4"	12"
6 Lamp Fixture	20-3/4"	17"

NOTE: REFER TO DIAGRAM ON BALLAST WITH SPECIFIC WIRING DETAILS.

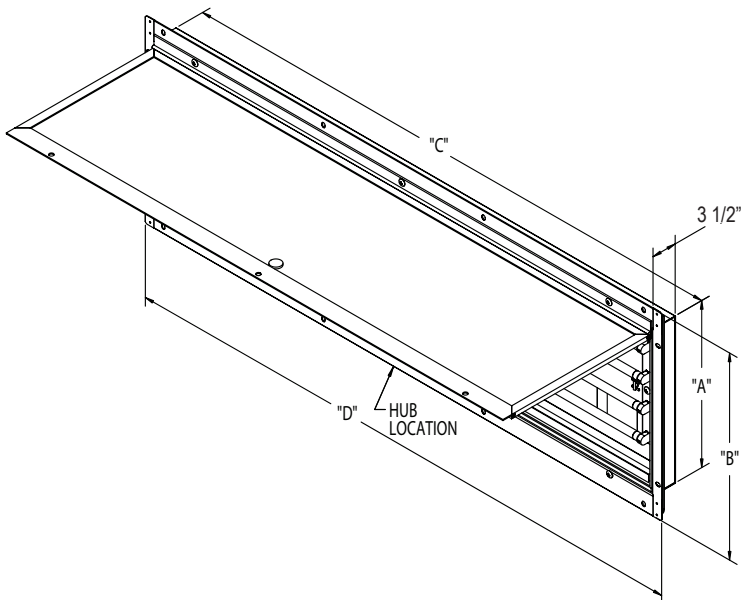
CAUTION: OVERLOADING THE SWITCH CIRCUITS WILL CAUSE SWITCH FAILURE. LDPI RECOMMENDS HAVING A CERTIFIED ELECTRICIAN/ENGINEER REVIEW CIRCUIT LOADS TO INSURE THAT OVERLOADING OF SWITCH DOES NOT OCCUR.

INSTALLATION INSTRUCTIONS FOR 4 FT. INSIDE ACCESS, 460 MA, T-5HO EMERGENCY BALLAST LIGHT FIXTURE

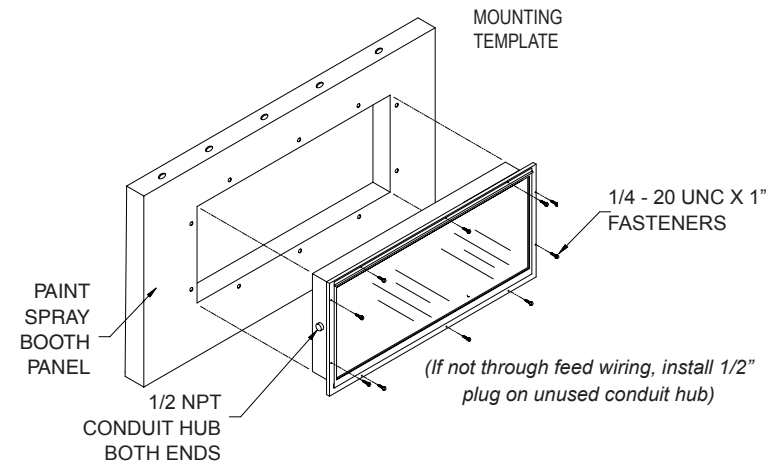


NOTE: REFER TO DIAGRAM ON BALLAST WITH SPECIFIC WIRING DETAILS.

CAUTION: OVERLOADING THE SWITCH CIRCUITS WILL CAUSE SWITCH FAILURE. LDPI RECOMMENDS HAVING A CERTIFIED ELECTRICIAN/ENGINEER REVIEW CIRCUIT LOADS TO INSURE THAT OVERLOADING OF SWITCH DOES NOT OCCUR.



NOTE:
LIGHT FIXTURE'S GLASS FRAME EXTENDS 3/8" INTO BOOTH WHEN MOUNTED IN BOOTH PANEL.



FIXTURE TYPE	MODEL #	INPUT AMPS		DIMENSIONS			
		120V	277V	"A"	"B"	"C"	"D"
4FT 2 LAMP	390420	1.00	0.43	9 1/2"	13"	50"	51 7/8"
4FT 4 LAMP	390440	2.00	0.86	14 1/2"	18"	50"	51 7/8"
4FT 6 LAMP	390460	3.00	1.29	19 1/2"	23"	50"	51 7/8"