

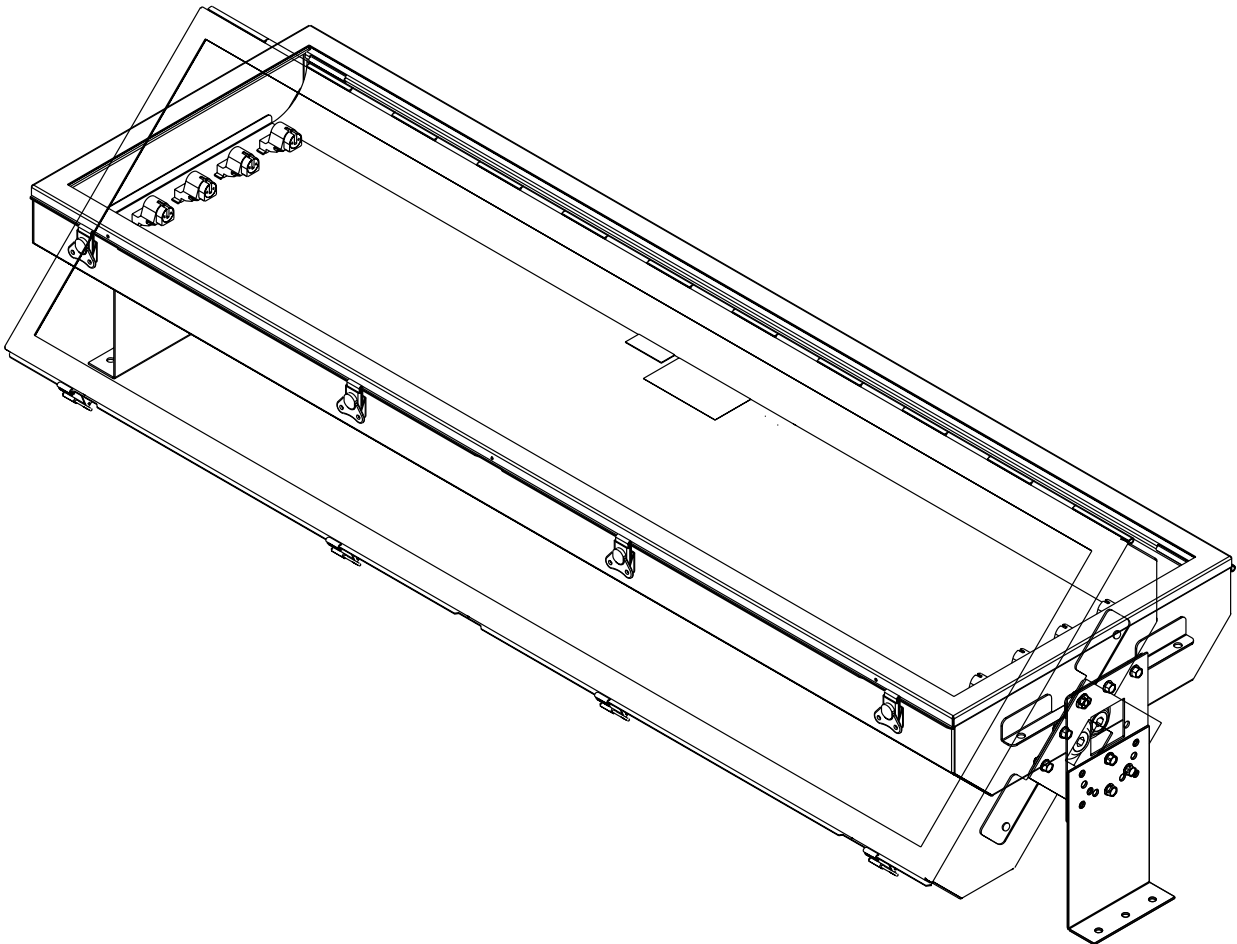


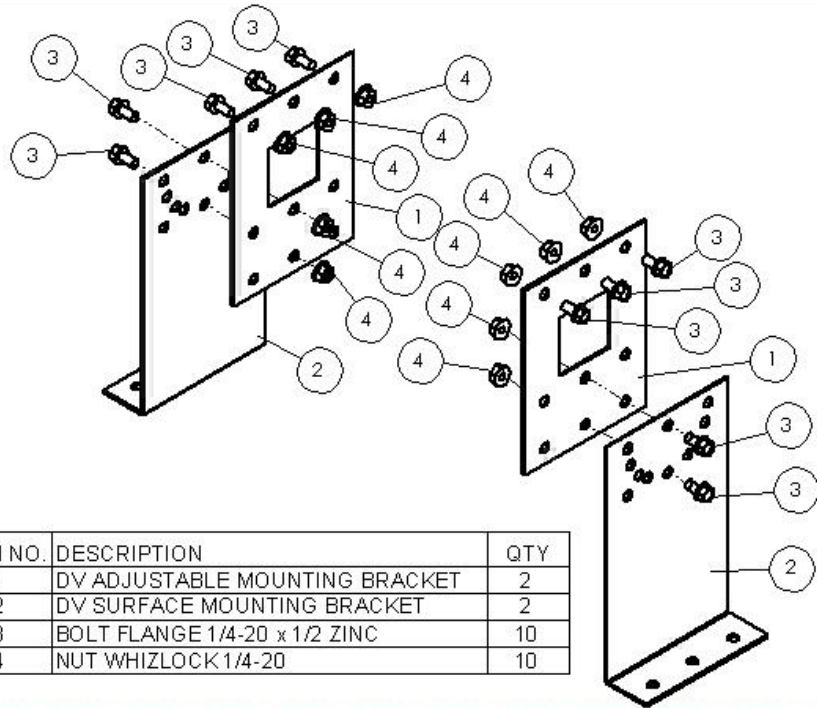
ANGLE SURFACE MOUNTING BRACKET KIT

240 FRONT ACCESS FLUORESCENT LIGHTING FIXTURES

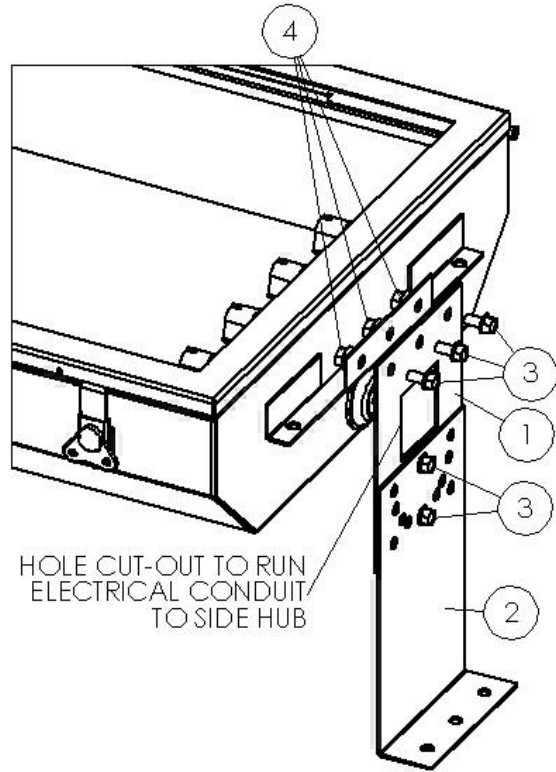
PART NUMBER: (6856 GALVANIZED)
BRACKET ATTACHMENT POINT FOR OPTIONAL MOUNTING METHODS.
THERE IS A NUMBER OF MOUNTING METHODS THAT ARE NOT SHOWN.
(FOR CEILING OR HORIZONTAL WALL MOUNT ONLY.
NOT INTENDED FOR VERTICAL WALL MOUNT)

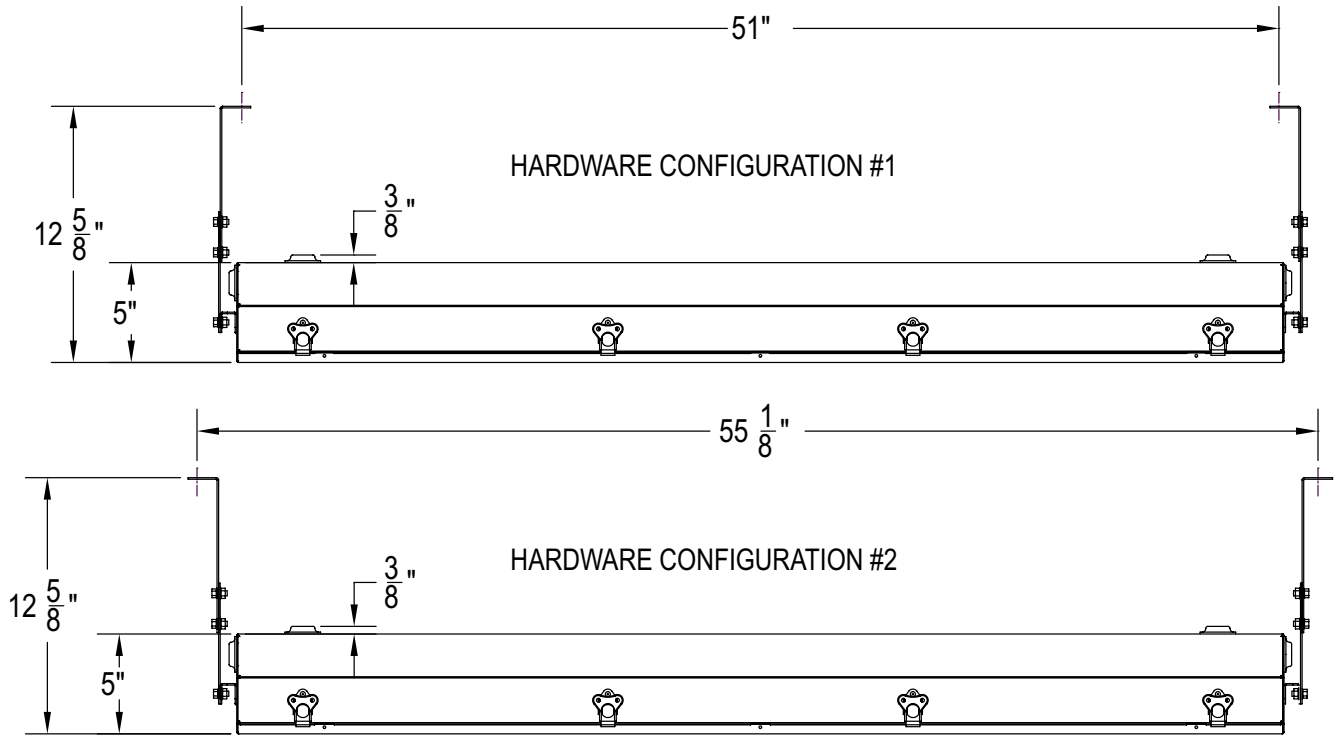
NOTE: MOUNTING BRACKET IS NOT ADJUSTABLE WHEN CONDUIT IS USED. IF CORD IS USED
IT MUST BE HARD USAGE RATED CORD AND USE A STRAIN RELIEF.



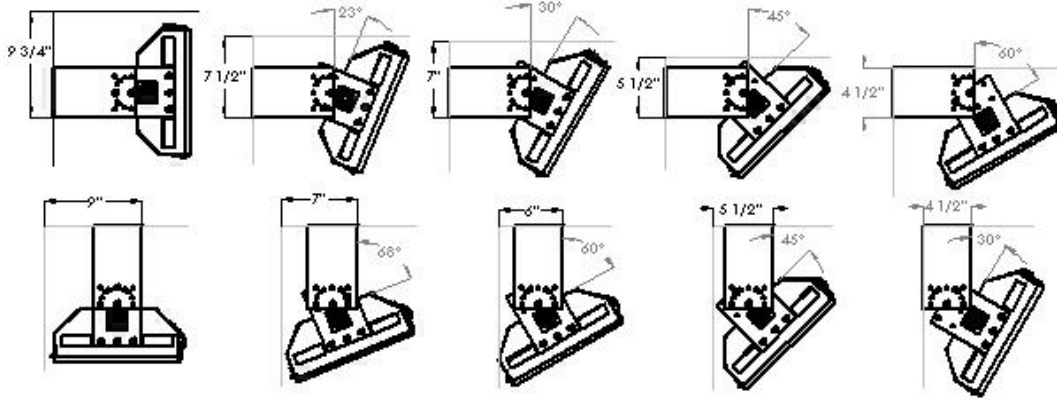


ITEM NO.	DESCRIPTION	QTY
1	DV ADJUSTABLE MOUNTING BRACKET	2
2	DV SURFACE MOUNTING BRACKET	2
3	BOLT FLANGE 1/4-20 x 1/2 ZINC	10
4	NUT WHIZLOCK 1/4-20	10

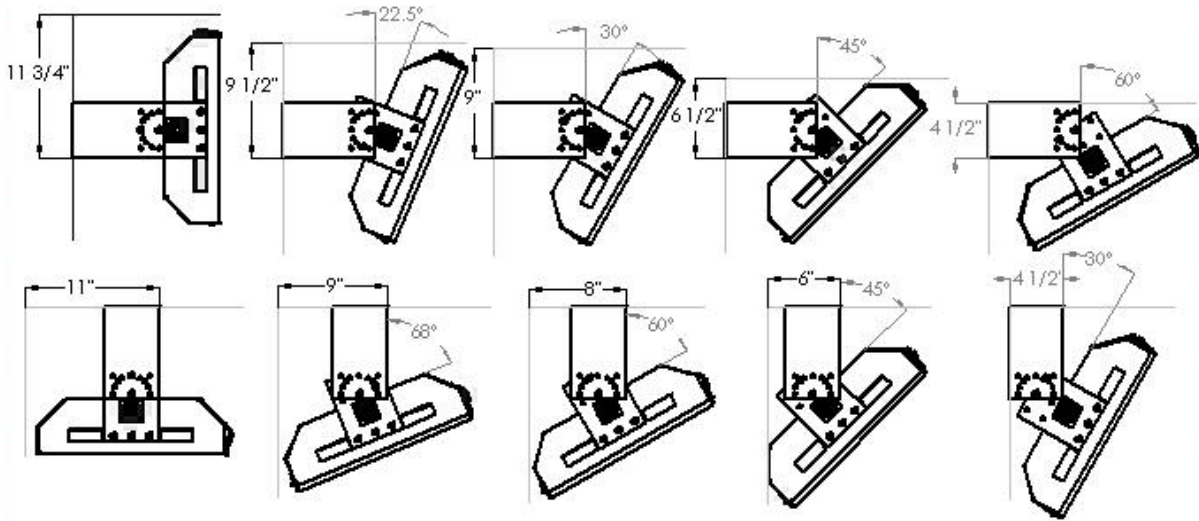




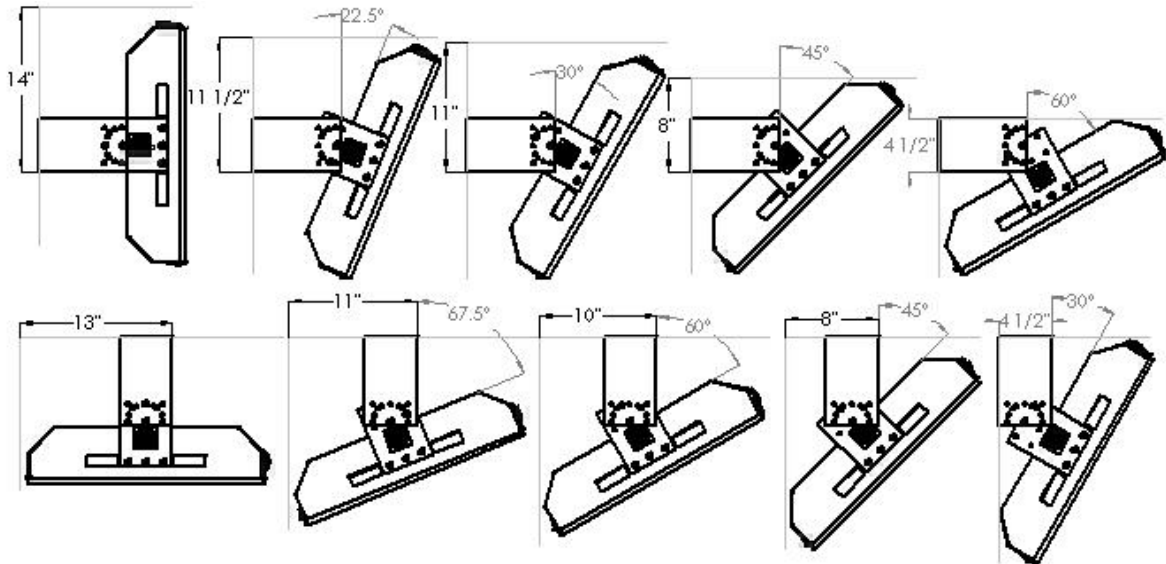
2 LAMP



4 LAMP



6 LAMP



LDPI, Inc.
 Eau Claire, WI 54703
 TOLL FREE
 1-800-854-0021
 Web: www.ldpi-inc.com
 E-mail: sales@ldpi-inc.com